



# Test Report

Report No.: CQASZ20180500033EW-04

**Test Description:** Bluetooth Profile Interoperability Test Report for AVRCP  
**Product/Design Name:** 1MORE Stylish Dual-dynamic Driver BT In-Ear Headphones  
**Product/Design ID:** E1024BT  
**Trademark:** 1MORE  
**Applicant:** 1MORE Shen Zhen Acoustic Technology Co., Ltd.  
**Manufacturer:** 1MORE Shen Zhen Acoustic Technology Co., Ltd.  
**Test Specification:** Bluetooth Profile Specification Version 1.5– Audio/Video Remote Control Profile  
Bluetooth Audio/Video Remote Control Profile Test Specification:  
AVRCP.TS.1.6.1

Test Report Prepared by.....  
**Test Engineer** Aaron Wu

Test Report Reviewed by.....  
**Test Reviewer** Owen Zhou

## Bluetooth® Profile Interoperability Test Report

The Bluetooth® word mark and logos are registered trademarks owned by Bluetooth SIG, Inc. and any use of such marks by CQA is under license. Other trademarks and trade names are those of their respective owners.

# Index

<b>1</b>	<b>General Information.....</b>	<b>3</b>
1.1	General.....	3
1.1.1	Administrative data of Test Facility .....	3
1.1.2	Administrative data of Applicant.....	4
1.1.3	Administrative data of EUT Manufacturer .....	4
1.2	Description of EUT.....	5
<b>2</b>	<b>Summary List of All Test Cases .....</b>	<b>6</b>
<b>3</b>	<b>Profile Testing.....</b>	<b>14</b>
3.1	Description of Test Set-up .....	14
3.2	List of Performed Test Cases .....	15
3.3	Referenced Documents .....	16
3.4	Additional Information .....	16
3.5	Test Sample Information.....	16
3.6	List of Test Equipments .....	16
<b>Annex 1</b>	<b>Profile Implementation Conformance Statement.....</b>	<b>17</b>
	A/V Remote Control Profile .....	17
	Profile Version and Role Declaration .....	17
	Profile Version and Role Declaration .....	17
	Profile Version and Role Declaration .....	18
	Profile Version and Role Declaration .....	18
	Profile Version and Role Declaration .....	18
	Application Feature.....	19
	Application Feature.....	23
	Application Feature.....	24
	Application Feature.....	29
<b>Annex 2</b>	<b>Test plan generated by launch studio .....</b>	<b>31</b>



---

# 1 General Information

## 1.1 General

### 1.1.1 Administrative data of Test Facility

**Test Facility:** Shenzhen Huaxia Testing Technology Co., Ltd

**Test Facility Address:** 1F., Block A of Tongsheng Technology Building, Huahui Road, Dalang Street, Longhua District, Shenzhen, China

**Phone Number:** 86-755-26648642

**Fax:** +86-755-26648637

**Email:** Owen.zhou@cqa-cert.com

**Contact Person:** Mr. Owen Zhou



### 1.1.2 Administrative data of Applicant

**Applicant:** 1MORE Shen Zhen Acoustic Technology Co., Ltd.

**Applicant Address:** Tianliao Building 1403-1411, Zone A Tianliao Industrial Park, Taoyuan Street, Nanshan District, Shenzhen, P.R. China

**Responsible Person:** Mrs He

**Phone Number :** 13242075433

**Fax :**

**Email :** xiao.he@tiinlab.com.cn

### 1.1.3 Administrative data of EUT Manufacturer

**EUT Manufacturer:** 1MORE Shen Zhen Acoustic Technology Co., Ltd.

**Manufacturer Address:** Tianliao Building 1403-1411, Zone A Tianliao Industrial Park, Taoyuan Street, Nanshan District, Shenzhen, P.R. China

**Responsible Person:** Mrs He

**Phone Number :** 13242075433

**Fax :**

**Email :** xiao.he@tiinlab.com.cn

## 1.2 Description of EUT

**Product name:** 1MORE Stylish Dual-dynamic Driver BT In-Ear Headphones

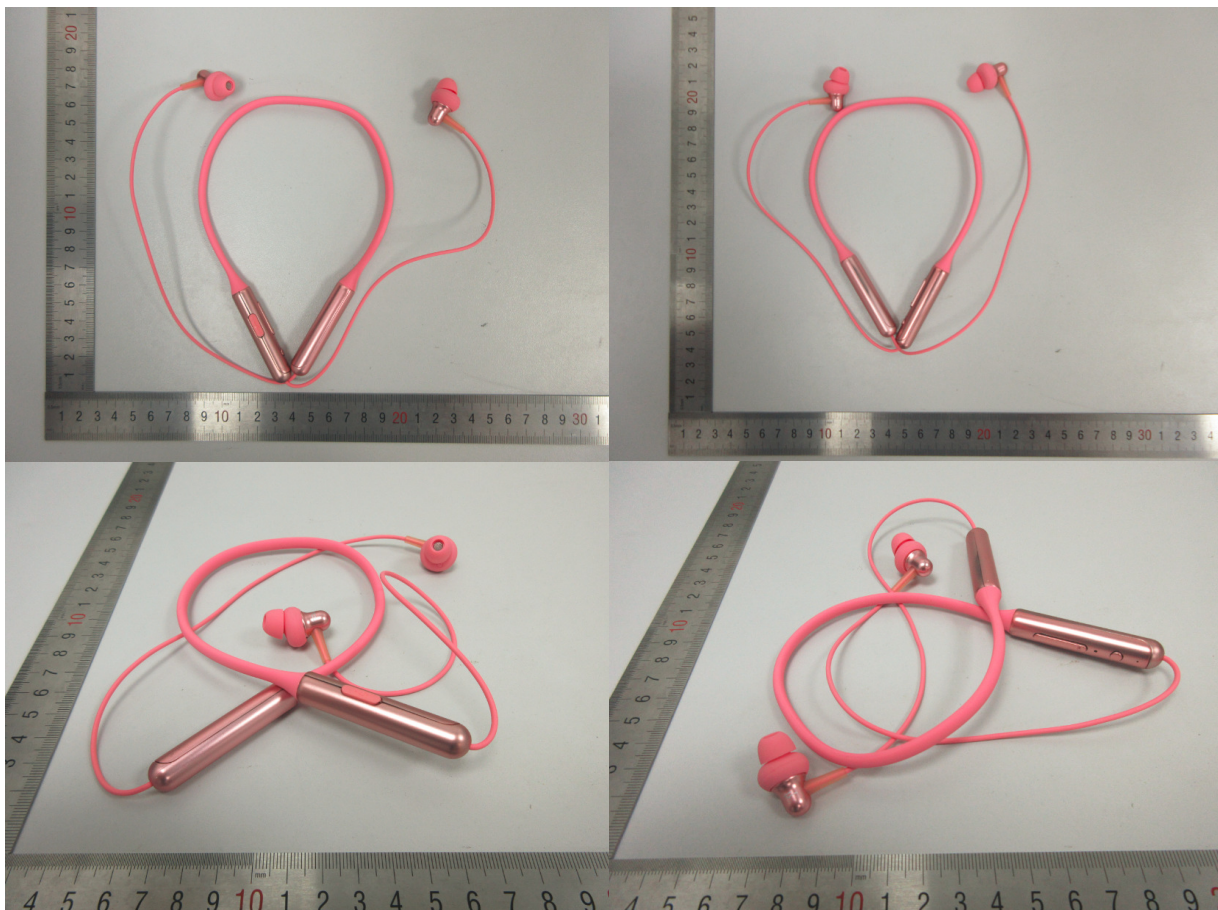
**Product description:** 1MORE Stylish Dual-dynamic Driver BT In-Ear Headphones

**Product ID/Model:** E1024BT

**Hardware Version:** V1.0

**Software Version:** V1.0

### Photos of Product:





## 2 Summary List of All Test Cases

### Controller Role

Audio Video Remote Control Profile				
No	TC identifier	Description	Verdict	Comments
1	TP/CEC/BV-01-I	Connection establishment -CT	Pass	Refer to PTS
2	TP/CEC/BV-02-I	Connection establishment -TG	Pass	Refer to PTS
3	TP/CRC/BV-01-I	Connection release-CT	Pass	Refer to PTS
4	TP/CRC/BV-02-I	Connection release-TG	Pass	Refer to PTS
5	TP/ICC/BV-01-I	Information collection by UNIT INFO command	N/A	
6	TP/ICC/BV-02-I	Information collection by SUBUNIT INFO command	N/A	
7	TP/PTT/BV-01-I	PASS THROUGH command transfer-category 1	Pass	Refer to PTS
8	TP/PTT/BV-02-I	PASS THROUGH command transfer-category 2	N/A	
9	TP/PTT/BV-03-I	PASS THROUGH command transfer-category 3	N/A	
10	TP/PTT/BV-04-I	PASS THROUGH command transfer-category 4	N/A	
11	TP/PTT/BV-05-I	PASS THROUGH command transfer-press and hold	N/A	
12	TP/CFG/BV-01-C	Get capabilities - CT	N/A	
13	TP/CFG/BV-02-C	Get capabilities response - TG	N/A	
14	TP/CFG/BI-01-C	Get capabilities invalid behavior response - TG	N/A	
15	TP/PAS/BV-01-C	List Player Application Setting Attributes - CT	N/A	
16	TP/PAS/BV-02-C	List Player Application Setting Attributes - TG	N/A	
17	TP/PAS/BV-03-C	Get Player Application Setting Attribute Text - CT	N/A	
18	TP/PAS/BV-04-C	Get Player Application Setting Attribute Text - TG	N/A	
19	TP/PAS/BV-05-C	List Player Application Setting Values - CT	N/A	
20	TP/PAS/BV-06-C	List Player Application Setting Values - TG	N/A	
21	TP/PAS/BV-07-C	Get Player Application Setting Value Text - CT	N/A	
22	TP/PAS/BV-08-C	Get Player Application Setting Value Text - TG	N/A	
23	TP/PAS/BV-09-C	Get Current Player Application Setting Value - CT	N/A	
24	TP/PAS/BV-10-C	Get Current Player Application Setting Value - TG	N/A	
25	TP/PAS/BV-11-C	Set Player Application Setting Value - CT	N/A	
26	TP/PAS/BI-01-C	Get Player Application Settings Attribute Text Invalid Behavior - TG	N/A	
27	TP/PAS/BI-02-C	List Player Application Setting Values Invalid Behavior - TG	N/A	
28	TP/PAS/BI-03-C	Get Player Application Setting Value Text Invalid Behavior - TG	N/A	
29	TP/PAS/BI-04-C	Get Current Player Application Setting Value Invalid Behavior - TG	N/A	
30	TP/PAS/BI-05-C	Set Player Application Setting Value Invalid	N/A	



Audio Video Remote Control Profile				
No	TC identifier	Description	Verdict	Comments
		Behavior - TG		
31	TP/MDI/BV-01-C	Get play status - CT	N/A	
32	TP/MDI/BV-02-C	Get play status - TG	N/A	
33	TP/MDI/BV-03-C	Get element attributes - CT	N/A	
34	TP/MDI/BV-04-C	Get all element attributes - TG	N/A	
35	TP/MDI/BV-05-C	Get selected element attributes - TG	N/A	
36	TP/NFY/BV-01-C	Register Notification - CT	N/A	
37	TP/NFY/BV-03-C	Register Notification: Event player application setting changed: TG	N/A	
38	TP/NFY/BV-02-C	Register Notification - TG	N/A	
39	TP/NFY/BV-04-C	Track Changed - No Selected Track - TG	N/A	
40	TP/NFY/BV-05-C	Track Changed - Playing Track - TG	N/A	
41	TP/NFY/BV-06-C	Track Changed - Playing Track in NowPlaying- TG	N/A	
42	TP/NFY/BV-07-C	Track Changed - Changing Track in NowPlaying- TG	N/A	
43	TP/NFY/BV-08-C	Track Changed - Selected Track - TG	N/A	
44	TP/NFY/BI-01-C	Register for events invalid behavior - TG	N/A	
45	TP/INV/BI-01-C	Invalid PDU ID - TG	N/A	
46	TP/INV/BI-02-C	General Reject - TG	N/A	
47	TP/BGN/BV-01-I	Next Group Command Transfer	N/A	
48	TP/BGN/BV-02-I	Previous Group Command Transfer	N/A	
49	TP/CON/BV-01-C	Connection establishment for browsing - CT	N/A	
50	TP/CON/BV-02-C	Connection establishment for browsing - TG	N/A	
51	TP/CON/BV-05-C	Connection establishment for browsing - TG initiates control channel and CT initiates browsing channel	N/A	
52	TP/CON/BV-03-C	Connection release for browsing - CT	N/A	
53	TP/CON/BV-04-C	Connection release for browsing - TG	N/A	
54	TP/MPS/BV-01-C	SetAddressedPlayer - CT	N/A	
55	TP/MPS/BV-02-C	SetAddressedPlayer - TG	N/A	
56	TP/MPS/BI-01-C	SetAddressedPlayer - TG	N/A	
57	TP/MPS/BV-03-C	SetBrowsedPlayer - CT	N/A	
58	TP/MPS/BV-04-C	SetBrowsedPlayer - TG	N/A	
59	TP/MPS/BI-02-C	SetBrowsedPlayer - TG	N/A	
60	TP/MPS/BV-05-C	AddressedPlayerChanged Notification - TG	N/A	
61	TP/MPS/BV-06-C	PlayerFeatureBitmask - TG	N/A	
62	TP/MPS/BV-07-C	AvailablePlayersChanged Notification - TG	N/A	
63	TP/MPS/BV-08-C	GetFolderItems - CT	N/A	
64	TP/MPS/BV-09-C	GetFolderItems - TG	N/A	
65	TP/MPS/BV-10-C	DefaultAddressedPlayer - TG	N/A	
66	TP/MCN/CB/BV-01-C	GetFolderItems - CT	N/A	
67	TP/MCN/CB/BV-02-C	GetFolderItems - TG	N/A	
68	TP/MCN/CB/BI-01-C	GetFolderItems - TG	N/A	
69	TP/MCN/CB/BV-03-C	GetFolderItems - TG	N/A	
70	TP/MCN/CB/BV-04-C	ChangePath - CT	N/A	
71	TP/MCN/CB/BV-05-C	ChangePath - TG	N/A	
72	TP/MCN/CB/BI-02-C	[GetFolderItems - TG]	N/A	
73	TP/MCN/CB/BV-06-C	ChangePath - TG	N/A	
74	TP/MCN/CB/BV-07-C	GetItemAttributes - CT	N/A	
75	TP/MCN/CB/BV-08-C	GetItemAttributes - TG	N/A	
76	TP/MCN/CB/BV-09-C	UIDcounter - TG	N/A	
77	TP/MCN/CB/BV-10-C	UIDcounter - TG	N/A	
78	TP/MCN/CB/BV-11-C	UIDcounter - TG	N/A	



Audio Video Remote Control Profile				
No	TC identifier	Description	Verdict	Comments
79	TP/MCN/CB/BI-05-C	UIDcounter - TG	N/A	
80	TP/MCN/CB/BI-03-C	[GetFolderItems - TG]	N/A	
81	TP/MCN/SRC/BV-01-C	Search - CT	N/A	
82	TP/MCN/SRC/BV-02-C	Search - TG	N/A	
83	TP/MCN/SRC/BV-03-C	GetFolderItems - CT	N/A	
84	TP/MCN/SRC/BV-04-C	GetFolderItems - TG	N/A	
85	TP/MCN/SRC/BV-05-C	GetItemAttributes - CT	N/A	
86	TP/MCN/SRC/BV-06-C	GetItemAttributes - TG	N/A	
87	TP/MCN/NP/BV-01-C	PlayItem - CT	N/A	
88	TP/MCN/NP/BV-02-C	PlayItem - TG	N/A	
89	TP/MCN/NP/BI-01-C	PlayItem_Invalid - TG	N/A	
90	TP/MCN/NP/BV-03-C	AddToNowPlaying - CT	N/A	
91	TP/MCN/NP/BV-04-C	AddToNowPlaying - TG	N/A	
92	TP/MCN/NP/BI-02-C	AddToNowPlaying_Invalid - TG	N/A	
93	TP/MCN/NP/BV-05-C	GetFolderItems - CT	N/A	
94	TP/MCN/NP/BV-06-C	GetFolderItems - TG	N/A	
95	TP/MCN/NP/BV-07-C	NowPlayingContentChanged Notification - TG	N/A	
96	TP/MCN/NP/BV-08-C	GetItemAttributes - CT	N/A	
97	TP/MCN/NP/BV-09-C	GetItemAttributes - TG	N/A	
98	TP/VLH/BV-01-C	Set Absolute Volume - CT	N/A	
99	TP/VLH/BV-02-C	Set Absolute Volume - TG	N/A	
100	TP/VLH/BI-01-C	Set Absolute Volume invalid behavior TG	N/A	
101	TP/VLH/BI-02-C	Set Absolute Volume invalid behavior TG	N/A	
102	TP/VLH/BI-03-C	Set Absolute Volume invalid behavior CT	N/A	
103	TP/VLH/BI-04-C	Set Absolute Volume invalid behavior CT	N/A	
104	TP/VLH/BV-03-C	NotifyVolumeChange - CT	N/A	
105	TP/VLH/BV-04-C	NotifyVolumeChange - TG	N/A	
106	TP/MPS/BV-01-I	Listing of Available Media Players	N/A	
107	TP/MPS/BV-02-I	Availability of Media Players	N/A	
108	TP/MPS/BV-03-I	PASSTHROUGH functionality of Media Players	N/A	
109	TP/MCN/CB/BV-01-I	Browsing of the Current Folder	N/A	
110	TP/MCN/CB/BV-02-I	Browsing Up	N/A	
111	TP/MCN/CB/BV-03-I	Browsing Down	N/A	
112	TP/MCN/CB/BV-04-I	Playing of a track from the Media Player Virtual Filesystem	N/A	
113	TP/MCN/CB/BI-04-C	ChangePath - TG	N/A	
114	TP/MCN/CB/BV-05-I	Change in Media Database	N/A	
115	TP/MCN/CB/BV-06-I	Metadata from Virtual Filesystem	N/A	
116	TP/MCN/CB/BV-07-I	Browsing of a Folder if the Player is not Addressed	N/A	
117	TP/MCN/SRC/BV-01-I	Search Request	N/A	
118	TP/MCN/SRC/BV-02-I	Browsing of the Search Results	N/A	
119	TP/MCN/SRC/BV-03-I	Play from Search Results	N/A	
120	TP/MCN/SRC/BV-04-I	Metadata from Search Results	N/A	
121	TP/MCN/NP/BV-01-I	Playing of a track from the NowPlaying folder	N/A	
122	TP/MCN/NP/BV-02-I	Adding a Filesystem track to NowPlaying list	N/A	
123	TP/MCN/NP/BV-03-I	Adding a Search Result track to NowPlaying list	N/A	
124	TP/MCN/NP/BV-04-I	Local change of NowPlaying list on TG	N/A	
125	TP/MCN/NP/BV-05-I	Metadata from NowPlayingList	N/A	





### Audio Video Remote Control Profile

No	TC identifier	Description	Verdict	Comments
126	TP/MCN/NP/BV-06-I	Browsing the NowPlayingFolder	N/A	
127	TP/MCN/NP/BV-07-I	Adding a Playable Folder to NowPlaying list	N/A	
128	TP/VLH/BV-01-I	Monitoring the TG Volume on the CT	N/A	
129	TP/VLH/BV-02-I	Changing the Volume	N/A	
130	TP/RCR/BV-01-C	Request continuing response - CT	N/A	
131	TP/RCR/BV-02-C	Request continuing response - TG	N/A	
132	TP/RCR/BV-03-C	Abort continuing response - CT	N/A	
133	TP/RCR/BV-04-C	Abort continuing response - TG	N/A	
134	TP/PTH/BV-01-C	Press and Release - CT	Pass	Refer to PTS
135	TP/PTH/BV-02-C	Press and Hold - CT	N/A	



## Target Role

Audio Video Remote Control Profile				
No	TC identifier	Description	Verdict	Comments
1	TP/CEC/BV-01-I	Connection establishment -CT	Pass	Refer to PTS
2	TP/CEC/BV-02-I	Connection establishment -TG	N/A	
3	TP/CRC/BV-01-I	Connection release-CT	Pass	Refer to PTS
4	TP/CRC/BV-02-I	Connection release-TG	Pass	Refer to PTS
5	TP/ICC/BV-01-I	Information collection by UNIT INFO command	Pass	Refer to PTS
6	TP/ICC/BV-02-I	Information collection by SUBUNIT INFO command	Pass	Refer to PTS
7	TP/PTT/BV-01-I	PASS THROUGH command transfer-category 1	N/A	
8	TP/PTT/BV-02-I	PASS THROUGH command transfer-category 2	Pass	Refer to PTS
9	TP/PTT/BV-03-I	PASS THROUGH command transfer-category 3	N/A	
10	TP/PTT/BV-04-I	PASS THROUGH command transfer-category 4	N/A	
11	TP/PTT/BV-05-I	PASS THROUGH command transfer-press and hold	N/A	
12	TP/CFG/BV-01-C	Get capabilities - CT	N/A	
13	TP/CFG/BV-02-C	Get capabilities response - TG	N/A	
14	TP/CFG/BI-01-C	Get capabilities invalid behavior response - TG	N/A	
15	TP/PAS/BV-01-C	List Player Application Setting Attributes - CT	N/A	
16	TP/PAS/BV-02-C	List Player Application Setting Attributes - TG	N/A	
17	TP/PAS/BV-03-C	Get Player Application Setting Attribute Text - CT	N/A	
18	TP/PAS/BV-04-C	Get Player Application Setting Attribute Text - TG	N/A	
19	TP/PAS/BV-05-C	List Player Application Setting Values - CT	N/A	
20	TP/PAS/BV-06-C	List Player Application Setting Values - TG	N/A	
21	TP/PAS/BV-07-C	Get Player Application Setting Value Text - CT	N/A	
22	TP/PAS/BV-08-C	Get Player Application Setting Value Text - TG	N/A	
23	TP/PAS/BV-09-C	Get Current Player Application Setting Value - CT	N/A	
24	TP/PAS/BV-10-C	Get Current Player Application Setting Value - TG	N/A	
25	TP/PAS/BV-11-C	Set Player Application Setting Value - CT	N/A	
26	TP/PAS/BI-01-C	Get Player Application Settings Attribute Text Invalid Behavior - TG	N/A	
27	TP/PAS/BI-02-C	List Player Application Setting Values Invalid Behavior - TG	N/A	
28	TP/PAS/BI-03-C	Get Player Application Setting Value Text Invalid Behavior - TG	N/A	
29	TP/PAS/BI-04-C	Get Current Player Application Setting Value Invalid Behavior - TG	N/A	
30	TP/PAS/BI-05-C	Set Player Application Setting Value Invalid Behavior - TG	N/A	
31	TP/MDI/BV-01-C	Get play status - CT	N/A	



**Audio Video Remote Control Profile**

No	TC identifier	Description	Verdict	Comments
32	TP/MDI/BV-02-C	Get play status - TG	N/A	
33	TP/MDI/BV-03-C	Get element attributes - CT	N/A	
34	TP/MDI/BV-04-C	Get all element attributes - TG	N/A	
35	TP/MDI/BV-05-C	Get selected element attributes - TG	N/A	
36	TP/NFY/BV-01-C	Register Notification - CT	N/A	
37	TP/NFY/BV-03-C	Register Notification: Event player application setting changed: TG	N/A	
38	TP/NFY/BV-02-C	Register Notification - TG	N/A	
39	TP/NFY/BV-04-C	Track Changed - No Selected Track - TG	N/A	
40	TP/NFY/BV-05-C	Track Changed - Playing Track - TG	N/A	
41	TP/NFY/BV-06-C	Track Changed - Playing Track in NowPlaying- TG	N/A	
42	TP/NFY/BV-07-C	Track Changed - Changing Track in NowPlaying- TG	N/A	
43	TP/NFY/BV-08-C	Track Changed - Selected Track - TG	N/A	
44	TP/NFY/BI-01-C	Register for events invalid behavior - TG	N/A	
45	TP/INV/BI-01-C	Invalid PDU ID - TG	N/A	
46	TP/INV/BI-02-C	General Reject - TG	N/A	
47	TP/BGN/BV-01-I	Next Group Command Transfer	N/A	
48	TP/BGN/BV-02-I	Previous Group Command Transfer	N/A	
49	TP/CON/BV-01-C	Connection establishment for browsing - CT	N/A	
50	TP/CON/BV-02-C	Connection establishment for browsing - TG	N/A	
51	TP/CON/BV-05-C	Connection establishment for browsing - TG initiates control channel and CT initiates browsing channel	N/A	
52	TP/CON/BV-03-C	Connection release for browsing - CT	N/A	
53	TP/CON/BV-04-C	Connection release for browsing - TG	N/A	
54	TP/MPS/BV-01-C	SetAddressedPlayer - CT	N/A	
55	TP/MPS/BV-02-C	SetAddressedPlayer - TG	N/A	
56	TP/MPS/BI-01-C	SetAddressedPlayer - TG	N/A	
57	TP/MPS/BV-03-C	SetBrowsedPlayer - CT	N/A	
58	TP/MPS/BV-04-C	SetBrowsedPlayer - TG	N/A	
59	TP/MPS/BI-02-C	SetBrowsedPlayer - TG	N/A	
60	TP/MPS/BV-05-C	AddressedPlayerChanged Notification - TG	N/A	
61	TP/MPS/BV-06-C	PlayerFeatureBitmask - TG	N/A	
62	TP/MPS/BV-07-C	AvailablePlayersChanged Notification - TG	N/A	
63	TP/MPS/BV-08-C	GetFolderItems - CT	N/A	
64	TP/MPS/BV-09-C	GetFolderItems - TG	N/A	
65	TP/MPS/BV-10-C	DefaultAddressedPlayer - TG	N/A	
66	TP/MCN/CB/BV-01-C	GetFolderItems - CT	N/A	
67	TP/MCN/CB/BV-02-C	GetFolderItems - TG	N/A	
68	TP/MCN/CB/BI-01-C	GetFolderItems - TG	N/A	
69	TP/MCN/CB/BV-03-C	GetFolderItems - TG	N/A	
70	TP/MCN/CB/BV-04-C	ChangePath - CT	N/A	
71	TP/MCN/CB/BV-05-C	ChangePath - TG	N/A	
72	TP/MCN/CB/BI-02-C	[GetFolderItems - TG]	N/A	
73	TP/MCN/CB/BV-06-C	ChangePath - TG	N/A	
74	TP/MCN/CB/BV-07-C	GetItemAttributes - CT	N/A	
75	TP/MCN/CB/BV-08-C	GetItemAttributes - TG	N/A	
76	TP/MCN/CB/BV-09-C	UIDcounter - TG	N/A	
77	TP/MCN/CB/BV-10-C	UIDcounter - TG	N/A	
78	TP/MCN/CB/BV-11-C	UIDcounter - TG	N/A	
79	TP/MCN/CB/BI-05-C	UIDcounter - TG	N/A	
80	TP/MCN/CB/BI-03-C	[GetFolderItems - TG]	N/A	



**Audio Video Remote Control Profile**

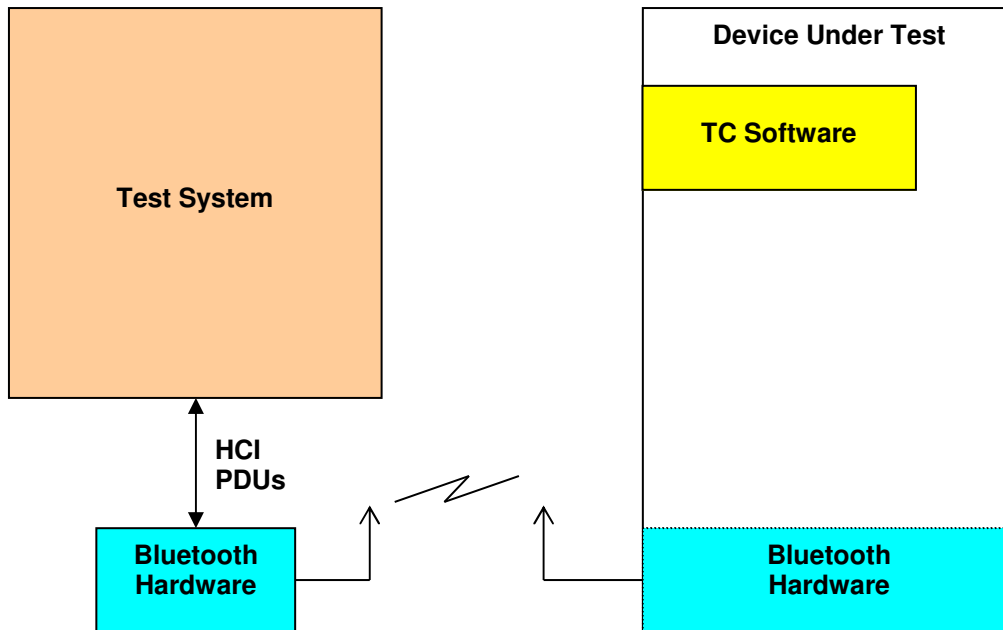
No	TC identifier	Description	Verdict	Comments
81	TP/MCN/SRC/BV-01-C	Search - CT	N/A	
82	TP/MCN/SRC/BV-02-C	Search - TG	N/A	
83	TP/MCN/SRC/BV-03-C	GetFolderItems - CT	N/A	
84	TP/MCN/SRC/BV-04-C	GetFolderItems - TG	N/A	
85	TP/MCN/SRC/BV-05-C	GetItemAttributes - CT	N/A	
86	TP/MCN/SRC/BV-06-C	GetItemAttributes - TG	N/A	
87	TP/MCN/NP/BV-01-C	PlayItem - CT	N/A	
88	TP/MCN/NP/BV-02-C	PlayItem - TG	N/A	
89	TP/MCN/NP/BI-01-C	PlayItem_Invalid - TG	N/A	
90	TP/MCN/NP/BV-03-C	AddToNowPlaying - CT	N/A	
91	TP/MCN/NP/BV-04-C	AddToNowPlaying - TG	N/A	
92	TP/MCN/NP/BI-02-C	AddToNowPlaying_Invalid - TG	N/A	
93	TP/MCN/NP/BV-05-C	GetFolderItems - CT	N/A	
94	TP/MCN/NP/BV-06-C	GetFolderItems - TG	N/A	
95	TP/MCN/NP/BV-07-C	NowPlayingContentChanged Notification - TG	N/A	
96	TP/MCN/NP/BV-08-C	GetItemAttributes - CT	N/A	
97	TP/MCN/NP/BV-09-C	GetItemAttributes - TG	N/A	
98	TP/VLH/BV-01-C	Set Absolute Volume - CT	N/A	
99	TP/VLH/BV-02-C	Set Absolute Volume - TG	Pass	Refer to PTS
100	TP/VLH/BI-01-C	Set Absolute Volume invalid behavior TG	Pass	Refer to PTS
101	TP/VLH/BI-02-C	Set Absolute Volume invalid behavior TG	Pass	Refer to PTS
102	TP/VLH/BI-03-C	Set Absolute Volume invalid behavior CT	N/A	
103	TP/VLH/BI-04-C	Set Absolute Volume invalid behavior CT	N/A	
104	TP/VLH/BV-03-C	NotifyVolumeChange - CT	N/A	
105	TP/VLH/BV-04-C	NotifyVolumeChange - TG	Pass	Refer to PTS
106	TP/MPS/BV-01-I	Listing of Available Media Players	N/A	
107	TP/MPS/BV-02-I	Availability of Media Players	N/A	
108	TP/MPS/BV-03-I	PASSTHROUGH functionality of Media Players	N/A	
109	TP/MCN/CB/BV-01-I	Browsing of the Current Folder	N/A	
110	TP/MCN/CB/BV-02-I	Browsing Up	N/A	
111	TP/MCN/CB/BV-03-I	Browsing Down	N/A	
112	TP/MCN/CB/BV-04-I	Playing of a track from the Media Player Virtual Filesystem	N/A	
113	TP/MCN/CB/BI-04-C	ChangePath - TG	N/A	
114	TP/MCN/CB/BV-05-I	Change in Media Database	N/A	
115	TP/MCN/CB/BV-06-I	Metadata from Virtual Filesystem	N/A	
116	TP/MCN/CB/BV-07-I	Browsing of a Folder if the Player is not Addressed	N/A	
117	TP/MCN/SRC/BV-01-I	Search Request	N/A	
118	TP/MCN/SRC/BV-02-I	Browsing of the Search Results	N/A	
119	TP/MCN/SRC/BV-03-I	Play from Search Results	N/A	
120	TP/MCN/SRC/BV-04-I	Metadata from Search Results	N/A	
121	TP/MCN/NP/BV-01-I	Playing of a track from the NowPlaying folder	N/A	
122	TP/MCN/NP/BV-02-I	Adding a Filesystem track to NowPlaying list	N/A	
123	TP/MCN/NP/BV-03-I	Adding a Search Result track to NowPlaying list	N/A	
124	TP/MCN/NP/BV-04-I	Local change of NowPlaying list on TG	N/A	
125	TP/MCN/NP/BV-05-I	Metadata from NowPlayingList	N/A	
126	TP/MCN/NP/BV-06-I	Browsing the NowPlayingFolder	N/A	



<b>Audio Video Remote Control Profile</b>				
<b>No</b>	<b>TC identifier</b>	<b>Description</b>	<b>Verdict</b>	<b>Comments</b>
127	TP/MCN/NP/BV-07-I	Adding a Playable Folder to NowPlaying list	N/A	
128	TP/VLH/BV-01-I	Monitoring the TG Volume on the CT	Pass	Refer to PTS
129	TP/VLH/BV-02-I	Changing the Volume	Pass	Refer to PTS
130	TP/RCR/BV-01-C	Request continuing response - CT	N/A	
131	TP/RCR/BV-02-C	Request continuing response - TG	N/A	
132	TP/RCR/BV-03-C	Abort continuing response - CT	N/A	
133	TP/RCR/BV-04-C	Abort continuing response - TG	N/A	
134	TP/PTH/BV-01-C	Press and Release - CT	N/A	
135	TP/PTH/BV-02-C	Press and Hold - CT	N/A	

### 3 Profile Testing

#### 3.1 Description of Test Set-up



The Test System PTS for Bluetooth is running on a PC System.

The test system communicates with the Bluetooth Hardware via an HCI connection.

The tests are performed as remote tests and all communication between the Test System and the DUT is done via the radio interface.



### 3.2 List of Performed Test Cases

Profile: AVRCP

Role:  Controller

TC-Identifier	Final Verdict	Date of Test
TP/CEC/BV-01-I	Pass	2018-06-28
TP/CEC/BV-02-I	Pass	2018-06-28
TP/CRC/BV-01-I	Pass	2018-06-28
TP/CRC/BV-02-I	Pass	2018-06-28
TP/PTH/BV-01-C	Pass	2018-06-28
TP/PTT/BV-01-I	Pass	2018-06-28

Profile: AVRCP

Role:  Target

TC-Identifier	Final Verdict	Date of Test
TP/CEC/BV-01-I	Pass	2018-06-28
TP/CRC/BV-01-I	Pass	2018-06-28
TP/CRC/BV-02-I	Pass	2018-06-28
TP/ICC/BV-01-I	Pass	2018-06-28
TP/ICC/BV-02-I	Pass	2018-06-28
TP/PTT/BV-02-I	Pass	2018-06-28
TP/VLH/BI-01-C	Pass	2018-06-28
TP/VLH/BI-02-C	Pass	2018-06-28
TP/VLH/BV-01-I	Pass	2018-06-28
TP/VLH/BV-02-C	Pass	2018-06-28
TP/VLH/BV-02-I	Pass	2018-06-28
TP/VLH/BV-04-C	Pass	2018-06-28

### 3.3 Referenced Documents

Document Name	Version	Issue Date
Audio/Video Remote Control Profile	V1.5	24 Jul 2012
Audio/Video Remote Control Profile 1.0-1.6 Test Specification	AVRCP.TS.1.6.1.2	13 Dec 2016
Audio/Video Remote Control Profile 1.0-1.6 Implementation Conformance Statement (ICS) Proforma	AVRCP.ICS.1.6.1.1	14 Jul 2016
Test Case Reference List	2017-2	19 Dec 2017

### 3.4 Additional Information

The test results presented in this test report apply only to the particular implementation under test (IUT) Declared in clause 1.2 of this report, for the functionality described in the relevant Protocol Implementation Statement (PICS), as presented for test on the date(s) declared in the relevant Protocol Implementation Extra Information for testing (PIXIT).

This test report does not constitute or imply, by its own, to be an approval of the product by Qualification Bodies, Certification Bodies or competent Authorities.

This document is only valid if complete; no partial reproduction can be made without written approval of the Test Laboratory.

This test report cannot be used partially or in full publicity and/or promotional purposes without previous written approval of the Test Laboratory.

**Abbreviations in this report:**

OK, Pass, P	=	passed
F	=	failed
N/A	=	not applicable
NT	=	not tested
EUT	=	equipment under test

### 3.5 Test Sample Information

The following sample was used for testing.

Sample No	Serial No/BT address	Date Of Reception
SZCR180620-01	F8DF1588C41A	2018-06-20

### 3.6 List of Test Equipments

Profile Tuning Suite: PTS v. 7.1.1  
AVRCP-ETS v. 10.1.1.8

EZURIO 4.0 PTS Dongle





# Annex 1 Profile Implementation Conformance Statement

## A/V Remote Control Profile

### Profile Version and Role Declaration

Table 1: Roles

Support	Item	Capability	System Spec Reference	Status	Comment
<input checked="" type="checkbox"/>	1/1	Controller	2.2	C.1	C.1: Mandatory to support at least one of the defined roles.
<input checked="" type="checkbox"/>	1/2	Target	2.2	C.1	C.1: Mandatory to support at least one of the defined roles.

### Profile Version and Role Declaration

Table 2b: Controller Major Profile Version (X.Y)

Support	Item	Capability	System Spec Reference	Status	Comment
<input type="checkbox"/>	2b/1	AVRCP v1.0	AVRCP v1.0	C.1	C.1: It is mandatory to support one of the profile versions.
<input type="checkbox"/>	2b/2	AVRCP v1.3	AVRCP v1.3	C.1	C.1: It is mandatory to support one of the profile versions.
<input type="checkbox"/>	2b/3	AVRCP v1.4  Deprecated Specification - New Qualifications marked as (Deprecated) by the system are subject to the \$25K Deprecation Fee	AVRCP v1.4	C.1	C.1: It is mandatory to support one of the profile versions.
<input checked="" type="checkbox"/>	2b/4	AVRCP v1.5	AVRCP v1.5	C.1	C.1: It is mandatory to support one of the profile versions.
<input type="checkbox"/>	2b/5	AVRCP v1.6	AVRCP v1.6	C.1	C.1: It is mandatory to support one of the profile versions.



## Profile Version and Role Declaration

**Table 2c: Controller Minor Profile Version (X.Y.Z)**

Prerequisite: AVRCP 2b/5

Support	Item	Capability	System Spec Reference	Status	Comment
<input type="checkbox"/>	2c/1	AVRCP v1.6.1	AVRCP v1.6.1	C.1	C.1: Optional IF 2b/5 (AVRCP v1.6) is supported, otherwise Excluded.

## Profile Version and Role Declaration

**Table 7b: Target Major Profile Version (X.Y)**

Support	Item	Capability	System Spec Reference	Status	Comment
<input type="checkbox"/>	7b/1	AVRCP v1.0	AVRCP v1.0	C.1	C.1: Mandatory to support only one Profile Version.
<input type="checkbox"/>	7b/2	AVRCP v1.3	AVRCP v1.3	C.1	C.1: Mandatory to support only one Profile Version.
<input type="checkbox"/>	7b/3	AVRCP v1.4   Deprecated Specification - New Qualifications marked as (Deprecated) by the system are subject to the \$25K Deprecation Fee	AVRCP v1.4	C.1	C.1: Mandatory to support only one Profile Version.
<input checked="" type="checkbox"/>	7b/4	AVRCP v1.5	AVRCP v1.5	C.1	C.1: Mandatory to support only one Profile Version.
<input type="checkbox"/>	7b/5	AVRCP v1.6	AVRCP v1.6	C.1	C.1: Mandatory to support only one Profile Version.

## Profile Version and Role Declaration

**Table 7c: Target Minor Profile Version (X.Y.Z)**

Prerequisite: AVRCP 7b/5

Support	Item	Capability	System Spec Reference	Status	Comment
<input type="checkbox"/>	7c/1	AVRCP v1.6.1	AVRCP v1.6.1	C.1	C.1: Optional IF 7b/5 is supported, otherwise Excluded.



## Application Feature

**Table 2: Controller Features**

Support	Item	Capability	System Spec Reference	Status	Comment
<input checked="" type="checkbox"/>	2/1	Initiating connection establishment for control	4.1.1	M	
<input checked="" type="checkbox"/>	2/2	Accepting connection establishment for control initiated by TG	4.1.1	M	
<input checked="" type="checkbox"/>	2/3	Initiating connection release for control	4.1.2	M	
<input checked="" type="checkbox"/>	2/4	Accepting connection release for control initiated by TG	4.1.2	M	
<input type="checkbox"/>	2/5	Sending UNIT INFO command	4.1.3	O	
<input type="checkbox"/>	2/6	Sending SUBUNIT INFO command	4.1.3	O	
<input checked="" type="checkbox"/>	2/7	Sending PASS THROUGH command in category 1	4.1.3	C.1	C.1: Mandatory to support at least one of the defined categories (2/7 through 2/10).
<input type="checkbox"/>	2/8	Sending PASS THROUGH command in category 2	4.1.3	C.1	C.1: Mandatory to support at least one of the defined categories (2/7 through 2/10).
<input type="checkbox"/>	2/9	Sending PASS THROUGH command in category 3	4.1.3	C.1	C.1: Mandatory to support at least one of the defined categories (2/7 through 2/10).
<input type="checkbox"/>	2/10	Sending PASS THROUGH command in category 4	4.1.3	C.1	C.1: Mandatory to support at least one of the defined categories (2/7 through 2/10).
<input type="checkbox"/>	2/11	Get Capabilities	AVRCP 1.3 - 5.1.1	O	
<input type="checkbox"/>	2/12	List Player Application Setting Attributes	AVRCP 1.3 - 5.2.1	C.9	C.9: Mandatory to support if Player Application Settings feature is supported. If any item 2/13 through 2/15 is supported it is required to claim support for this feature in accordance with Player Application Settings support requirements, otherwise Optional.
<input type="checkbox"/>	2/13	List Player Application Setting Values	AVRCP 1.3 - 5.2.2	O	
<input type="checkbox"/>	2/14	Get Current Player Application Setting	AVRCP 1.3 - 5.2.3	C.10	C.10: Mandatory to support either Get or Set Player Application Settings (2/14 or 2/15) if List Player Application Setting Attributes (2/12) is supported. Either 2/14 or 2/15 must be supported if Player Application Settings feature is supported, in accordance with Player Application Settings support requirements.

<input type="checkbox"/>	2/15 Set Player Application Setting Value	AVRCP 1.3 - 5.2.4	C.10	C.10: Mandatory to support either Get or Set Player Application Settings (2/14 or 2/15) if List Player Application Setting Attributes (2/12) is supported. Either 2/14 or 2/15 must be supported if Player Application Settings feature is supported, in accordance with Player Application Settings support requirements.
<input type="checkbox"/>	2/16 Get Player Application Setting Attribute Text	AVRCP 1.3 - 5.2.5	O	
<input type="checkbox"/>	2/17 Get Player Application Setting Value Text	AVRCP 1.3 - 5.2.6	O	
<input type="checkbox"/>	2/18 Inform Displayable Character Set	AVRCP 1.3 - 5.2.7	O	
<input type="checkbox"/>	2/19 Inform Battery Status of CT	AVRCP 1.3 - 5.2.8	O	
<input type="checkbox"/>	2/20 Get Element Attributes	AVRCP 1.3 - 5.3.1	O	
<input type="checkbox"/>	2/21 Get Play Status	AVRCP 1.3 - 5.4.1	O	
<input type="checkbox"/>	2/22 Register Notification	AVRCP 1.3 - 5.4.2	C.11	C.11: Mandatory if 2/20 or 2/49 is supported, otherwise Optional.
<input type="checkbox"/>	2/23 Request Continuing Response	AVRCP 1.3 - 5.5.1	C.2	C.2: Mandatory to support at least one of 2/23 or 2/24 if 2/20 is supported, otherwise Excluded
<input type="checkbox"/>	2/24 Abort Continuing Response	AVRCP 1.3 - 5.5.2	C.2	C.2: Mandatory to support at least one of 2/23 or 2/24 if 2/20 is supported, otherwise Excluded
<input type="checkbox"/>	2/25 Next Group	AVRCP 1.3 - 5.6.1	C.12	C.12: Mandatory if Basic Group Navigation Feature supported. If any item 2/25 or 2/26 is supported it is mandatory to support both, in accordance with Basic Group Navigation support requirements, otherwise Excluded.
<input type="checkbox"/>	2/26 Previous Group	AVRCP 1.3 - 5.6.2	C.12	C.12: Mandatory if Basic Group Navigation Feature supported. If any item 2/25 or 2/26 is supported it is mandatory to support both, in accordance with Basic Group Navigation support requirements, otherwise Excluded.
<input type="checkbox"/>	2/27 Media Player Selection	AVRCP 1.4 - 6.9	O	
<input type="checkbox"/>	2/28 SetAddressedPlayer	AVRCP 1.4 - 6.9.1	O	



<input type="checkbox"/>	2/29	GetFolderItems(MediaPlayerList)	AVRCP 1.4 - 6.10.4.2	C.5	C.5: Mandatory if 2/27 is supported, otherwise Excluded.
<input type="checkbox"/>	2/30	EVENT_AVAILABLE_PLAYERS_CHANED	AVRCP 1.4 - 6.9.4	O	
<input type="checkbox"/>	2/31	EVENT_ADDRESSED_PLAYER_CHANED	AVRCP 1.4 - 6.9.2	O	
<input type="checkbox"/>	2/32	Browsing	AVRCP 1.4 - 6.10	O	
<input type="checkbox"/>	2/33	SetBrowsedPlayer	AVRCP 1.4 - 6.9.3	C.4	C.4: Mandatory if 2/32 is supported, otherwise Excluded.
<input type="checkbox"/>	2/34	ChangePath	AVRCP 1.4 - 6.10.4.1	C.4	C.4: Mandatory if 2/32 is supported, otherwise Excluded.
<input type="checkbox"/>	2/35	GetFolderItems(Filesystem)	AVRCP 1.4 - 6.10.4.2	C.4	C.4: Mandatory if 2/32 is supported, otherwise Excluded.
<input type="checkbox"/>	2/36	GetItemAttributes	AVRCP 1.4 - 6.10.4.3	O	
<input type="checkbox"/>	2/37	PlayItem(Filesystem)	AVRCP 1.4 - 6.12.1	C.4	C.4: Mandatory if 2/32 is supported, otherwise Excluded.
<input type="checkbox"/>	2/38	EVENT_UIDS_CHANGED	AVRCP 1.4 - 6.10.3.3	O	
<input type="checkbox"/>	2/39	Searching	AVRCP 1.4 - 6.11	O	
<input type="checkbox"/>	2/40	Search	AVRCP 1.4 - 6.11	C.7	C.7: Mandatory if item 2/39 (Searching) is supported, otherwise Excluded.
<input type="checkbox"/>	2/41	GetFolderItems(Search Results)	AVRCP 1.4 - 6.10.4.2	C.7	C.7: Mandatory if item 2/39 (Searching) is supported, otherwise Excluded.
<input type="checkbox"/>	2/42	PlayItem(SearchResultList)	AVRCP 1.4 - 6.12.1	C.7	C.7: Mandatory if item 2/39 (Searching) is supported, otherwise Excluded.
<input type="checkbox"/>	2/43	NowPlaying	AVRCP 1.4 - 6.10.1	C.8	C.8: Mandatory if 2/32 is supported, otherwise Excluded.
<input type="checkbox"/>	2/44	GetFolderItems(NowPlayingList)	AVRCP 1.4 - 6.10.4.2	C.8	C.8: Mandatory if 2/32 is supported, otherwise Excluded.
<input type="checkbox"/>	2/45	PlayItem(NowPlayingList)	AVRCP 1.4 - 6.12.1	C.8	C.8: Mandatory if 2/32 is supported, otherwise Excluded.
<input type="checkbox"/>	2/46	AddToNowPlaying	AVRCP 1.4 - 6.12.2	O	
<input type="checkbox"/>	2/47	EVENT_NOW_PLAYING_CONTENT_CHANGED	AVRCP 1.4 - 6.9.5	O	

<input type="checkbox"/>	2/48	Playable Folders	AVRCP 1.4 - 6.10.2.2	O	
<input type="checkbox"/>	2/49	Absolute Volume	AVRCP 1.4 - 6.13	C.3	C.3: Mandatory if 2/8 is supported, otherwise Excluded.
<input type="checkbox"/>	2/51	NotifyVolumeChange	AVRCP 1.4 - 6.13.2	C.3	C.3: Mandatory if 2/8 is supported, otherwise Excluded.
<input type="checkbox"/>	2/50	SetAbsoluteVolume	AVRCP 1.4 - 6.13.1	C.3	C.3: Mandatory if 2/8 is supported, otherwise Excluded.
<input checked="" type="checkbox"/>	2/52	Discoverable Mode	AVRCP 1.4 - 12.1	M	
<input type="checkbox"/>	2/53	PASSTHROUGH operation supporting Press and Hold	4.1.3	O	
<input type="checkbox"/>	2/29b	GetTotalNumberOfItems(MediaPlayerList)	AVRCP 1.6 - 6.10.4.4	O	
<input type="checkbox"/>	2/35b	GetTotalNumberOfItems(Filesystem)	AVRCP 1.6 - 6.10.4.4	O	
<input type="checkbox"/>	2/41b	GetTotalNumberOfItems(Search Results)	AVRCP 1.6 - 6.10.4.4	O	
<input type="checkbox"/>	2/44b	GetTotalNumberOfItems(NowPlayingList)	AVRCP 1.6 - 6.10.4.4	O	
<input type="checkbox"/>	2/54	Cover Art	AVRCP 1.6 - 5.14	O	
<input type="checkbox"/>	2/55	GetImageProperties	AVRCP 1.6 - 5.14	C.14	C.14: Optional if 2/54 (Cover Art) is supported, otherwise Excluded.
<input type="checkbox"/>	2/56	GetImage	AVRCP 1.6 - 5.14	C.13	C.13: Mandatory to support at least one of the functions if 2/54 (Cover Art) is supported, otherwise Excluded.
<input type="checkbox"/>	2/57	GetLinkedThumbnail	AVRCP 1.6 - 5.14	C.13	C.13: Mandatory to support at least one of the functions if 2/54 (Cover Art) is supported, otherwise Excluded.



## Application Feature

**Table 3: Operation\_id of Category 1 for CT**

Support	Item	Capability	System Spec Reference	Status	Comment
<input type="checkbox"/>	3/1	0	See Comments	C.1	C.1: Mandatory to support at least one if 2/7 is supported.
<input type="checkbox"/>	3/2	1	See Comments	C.1	C.1: Mandatory to support at least one if 2/7 is supported.
<input type="checkbox"/>	3/3	2	See Comments	C.1	C.1: Mandatory to support at least one if 2/7 is supported.
<input type="checkbox"/>	3/4	3	See Comments	C.1	C.1: Mandatory to support at least one if 2/7 is supported.
<input type="checkbox"/>	3/5	4	See Comments	C.1	C.1: Mandatory to support at least one if 2/7 is supported.
<input type="checkbox"/>	3/6	5	See Comments	C.1	C.1: Mandatory to support at least one if 2/7 is supported.
<input type="checkbox"/>	3/7	6	See Comments	C.1	C.1: Mandatory to support at least one if 2/7 is supported.
<input type="checkbox"/>	3/8	7	See Comments	C.1	C.1: Mandatory to support at least one if 2/7 is supported.
<input type="checkbox"/>	3/9	8	See Comments	C.1	C.1: Mandatory to support at least one if 2/7 is supported.
<input type="checkbox"/>	3/10	9	See Comments	C.1	C.1: Mandatory to support at least one if 2/7 is supported.
<input type="checkbox"/>	3/11	dot	See Comments	C.1	C.1: Mandatory to support at least one if 2/7 is supported.
<input type="checkbox"/>	3/12	enter	See Comments	C.1	C.1: Mandatory to support at least one if 2/7 is supported.
<input type="checkbox"/>	3/13	clear	See Comments	C.1	C.1: Mandatory to support at least one if 2/7 is supported.
<input type="checkbox"/>	3/14	sound select	See Comments	C.1	C.1: Mandatory to support at least one if 2/7 is supported.
<input type="checkbox"/>	3/15	input select	See Comments	C.1	C.1: Mandatory to support at least one if 2/7 is supported.
<input type="checkbox"/>	3/16	display information	See Comments	C.1	C.1: Mandatory to support at least one if 2/7 is supported.
<input type="checkbox"/>	3/17	help	See Comments	C.1	C.1: Mandatory to support at least one if 2/7 is supported.
<input type="checkbox"/>	3/18	power	See Comments	C.1	C.1: Mandatory to support at least one if 2/7 is supported.
<input checked="" type="checkbox"/>	3/19	play	See Comments	C.1	C.1: Mandatory to support at least one if 2/7 is supported.
<input type="checkbox"/>	3/20	stop	See Comments	C.1	C.1: Mandatory to support at least one if 2/7 is supported.
<input checked="" type="checkbox"/>	3/21	pause	See Comments	C.1	C.1: Mandatory to support at least one if 2/7 is supported.
<input type="checkbox"/>	3/22	record	See Comments	C.1	C.1: Mandatory to support at least one if 2/7 is supported.



<input type="checkbox"/>	3/23	rewind	See Comments	C.1	C.1: Mandatory to support at least one if 2/7 is supported.
<input type="checkbox"/>	3/24	fast forward	See Comments	C.1	C.1: Mandatory to support at least one if 2/7 is supported.
<input type="checkbox"/>	3/25	eject	See Comments	C.1	C.1: Mandatory to support at least one if 2/7 is supported.
<input type="checkbox"/>	3/26	forward	See Comments	C.1	C.1: Mandatory to support at least one if 2/7 is supported.
<input type="checkbox"/>	3/27	backward	See Comments	C.1	C.1: Mandatory to support at least one if 2/7 is supported.
<input type="checkbox"/>	3/28	angle	See Comments	C.1	C.1: Mandatory to support at least one if 2/7 is supported.
<input type="checkbox"/>	3/29	subpicture	See Comments	C.1	C.1: Mandatory to support at least one if 2/7 is supported.
<input type="checkbox"/>	3/30	F1	See Comments	C.1	C.1: Mandatory to support at least one if 2/7 is supported.
<input type="checkbox"/>	3/31	F2	See Comments	C.1	C.1: Mandatory to support at least one if 2/7 is supported.
<input type="checkbox"/>	3/32	F3	See Comments	C.1	C.1: Mandatory to support at least one if 2/7 is supported.
<input type="checkbox"/>	3/33	F4	See Comments	C.1	C.1: Mandatory to support at least one if 2/7 is supported.
<input type="checkbox"/>	3/34	F5	See Comments	C.1	C.1: Mandatory to support at least one if 2/7 is supported.
<input type="checkbox"/>	3/35	vendor unique	See Comments	C.1	C.1: Mandatory to support at least one if 2/7 is supported.

## Application Feature

**Table 7: Target Features**

Support	Item	Capability	System Spec Reference	Status	Comment
<input type="checkbox"/>	7/1	Initiating Connection Establishment for Control	4.1.1	O	
<input checked="" type="checkbox"/>	7/2	Accepting Connection Establishment for Control Initiated by CT	4.1.1	M	
<input checked="" type="checkbox"/>	7/3	Initiating Connection Release for Control	4.1.2	M	
<input checked="" type="checkbox"/>	7/4	Accepting Connection Release for Control Initiated by CT	4.1.2	M	
<input checked="" type="checkbox"/>	7/5	Receiving UNIT INFO Command	4.1.3	M	
<input checked="" type="checkbox"/>	7/6	Receiving SUBUNIT INFO	4.1.3	M	



<input type="checkbox"/>	7/7	Receiving PASS THROUGH Command in category 1	4.1.3	C.1	C.1: Mandatory to support at least one of the categories. Supported operation_id's are shown in Table 8 to Table 11.
<input checked="" type="checkbox"/>	7/8	Receiving PASS THROUGH Command in category 2	4.1.3	C.1	C.1: Mandatory to support at least one of the categories. Supported operation_id's are shown in Table 8 to Table 11.
<input type="checkbox"/>	7/9	Receiving PASS THROUGH Command in category 3	4.1.3	C.1	C.1: Mandatory to support at least one of the categories. Supported operation_id's are shown in Table 8 to Table 11.
<input type="checkbox"/>	7/10	Receiving PASS THROUGH Command in category 4	4.1.3	C.1	C.1: Mandatory to support at least one of the categories. Supported operation_id's are shown in Table 8 to Table 11.
<input type="checkbox"/>	7/11	Get Capabilities Response	AVRCP 1.3 - 5.1.1	C.3	C.3: Mandatory if 7/7 is supported, otherwise Optional.
<input type="checkbox"/>	7/12	List Player Application Settings Attributes Response	AVRCP 1.3 - 5.2.1	C.14	C.14: Mandatory if Player Application Settings Feature supported. If any item 7/12 – 7/15 is supported, all items 7/12 – 7/15 shall be supported, in accordance with Player Application Settings Feature support requirements, otherwise Excluded.
<input type="checkbox"/>	7/13	List Player Application Setting Values Response	AVRCP 1.3 - 5.2.2	C.14	C.14: Mandatory if Player Application Settings Feature supported. If any item 7/12 – 7/15 is supported, all items 7/12 – 7/15 shall be supported, in accordance with Player Application Settings Feature support requirements, otherwise Excluded.
<input type="checkbox"/>	7/14	Get Current Player Application Settings Value Response	AVRCP 1.3 - 5.2.3	C.14	C.14: Mandatory if Player Application Settings Feature supported. If any item 7/12 – 7/15 is supported, all items 7/12 – 7/15 shall be supported, in accordance with Player Application Settings Feature support requirements, otherwise Excluded.
<input type="checkbox"/>	7/15	Set Player Application Setting Value Response	AVRCP 1.3 - 5.2.4	C.14	C.14: Mandatory if Player Application Settings Feature supported. If any item 7/12 – 7/15 is supported, all items 7/12 – 7/15 shall be supported, in accordance with Player Application Settings Feature support requirements, otherwise Excluded.
<input type="checkbox"/>	7/16	Get Player Application Setting Attribute Text Response	AVRCP 1.3 - 5.2.5	O	
<input type="checkbox"/>	7/17	Get Player Application Setting Value Text Response	AVRCP 1.3 - 5.2.6	O	



<input type="checkbox"/>	7/18	Inform Displayable Character Set Response	AVRCP 1.3 - 5.2.7	O	
<input type="checkbox"/>	7/19	Inform Battery Status Of CT Response	AVRCP 1.3 - 5.2.8	O	
<input type="checkbox"/>	7/20	Get Element Attributes Response	AVRCP 1.3 - 5.3.1	C.3	C.3: Mandatory if 7/7 is supported, otherwise Optional.
<input type="checkbox"/>	7/21	Get Play Status Response	AVRCP 1.3 - 5.4.1	C.2	C.2: Mandatory if 7/20 is supported, otherwise Optional.
<input type="checkbox"/>	7/22	Register Notification Response	AVRCP 1.3 - 5.4.2	C.12	C.12: Mandatory if 7/7 or (7/8 AND 7/60) or 7/9 is supported, otherwise Optional.
<input type="checkbox"/>	7/23	Notify Event Response: PLAYBACK_STATUS_CHANGED	AVRCP 1.3 - 5.4.2	C.4	C.4: Mandatory if 7/22 and 7/20 is supported, otherwise Optional.
<input type="checkbox"/>	7/24	Notify Event Response: TRACK_CHANGED	AVRCP 1.3 - 5.4.2	C.4	C.4: Mandatory if 7/22 and 7/20 is supported, otherwise Optional.
<input type="checkbox"/>	7/25	Notify Event Response: TRACK_REACHED_END	AVRCP 1.3 - 5.4.2	O	
<input type="checkbox"/>	7/26	Notify Event Response: TRACK_REACHED_START	AVRCP 1.3 - 5.4.2	O	
<input type="checkbox"/>	7/27	Notify Event Response: TRACK_POS_CHANGED	AVRCP 1.3 - 5.4.2	O	
<input type="checkbox"/>	7/28	Notify Event Response: BATT_STATUS_CHANGED	AVRCP 1.3 - 5.4.2	O	
<input type="checkbox"/>	7/29	Notify Event Response: SYSTEM_STATUS_CHANGED	AVRCP 1.3 - 5.4.2	O	
<input type="checkbox"/>	7/30	Notify Event Response: PLAYER_APPLICATION_SETTING_CHANGED	AVRCP 1.3 - 5.4.2	O	
<input type="checkbox"/>	7/31	Request Continuing Response	AVRCP 1.3 - 5.5.1	C.2	C.2: Mandatory if 7/20 is supported, otherwise Optional.
<input type="checkbox"/>	7/32	Abort ContinuingResponse Response	AVRCP 1.3 - 5.5.2	C.2	C.2: Mandatory if 7/20 is supported, otherwise Optional.
<input type="checkbox"/>	7/33		N/A	N/A	
<input type="checkbox"/>	7/34	Next Group	5.6.1	C.15	C.15: Mandatory if Basic Group Navigation Feature supported. If any item 7/34 or 7/35 is supported it is mandatory to support both, in accordance with Basic Group Navigation support requirements, otherwise Excluded.
<input type="checkbox"/>	7/35	Previous Group	5.6.2	C.15	C.15: Mandatory if Basic Group Navigation Feature supported. If any item 7/34 or 7/35 is supported it is mandatory to support both, in accordance with Basic Group Navigation support requirements, otherwise Excluded.
<input type="checkbox"/>	7/36	Media Player Selection	AVRCP 1.4 - 6.9	C.8	C.8: Mandatory if (7/7 or 7/9) is supported, otherwise Excluded.

<input type="checkbox"/>	7/37	SetAddressedPlayer	AVRCP 1.4 - 6.9.1	C.8	C.8: Mandatory if (7/7 or 7/9) is supported, otherwise Excluded.
<input type="checkbox"/>	7/38	GetFolderItems(MediaPlayerList)	AVRCP 1.4 - 6.9.1	C.8	C.8: Mandatory if (7/7 or 7/9) is supported, otherwise Excluded.
<input type="checkbox"/>	7/39	EVENT_AVAILABLE_PLAYERS_CHAN	AVRCP 1.4 - 6.9.4	C.8	C.8: Mandatory if (7/7 or 7/9) is supported, otherwise Excluded.
<input type="checkbox"/>	7/40	EVENT_ADDRESSED_PLAYER_CHAN	AVRCP 1.4 - 6.9.2	C.8	C.8: Mandatory if (7/7 or 7/9) is supported, otherwise Excluded.
<input type="checkbox"/>	7/41	Supports Multiple Players	AVRCP 1.4 - 6.9	O	
<input type="checkbox"/>	7/42	Browsing	AVRCP 1.4 - 6.10	O	
<input type="checkbox"/>	7/43	SetBrowsedPlayer	AVRCP 1.4 - 6.9.3	C.6	C.6: Mandatory if 7/42 is supported, otherwise Excluded.
<input type="checkbox"/>	7/44	ChangePath	AVRCP 1.4 - 6.10.4.1	C.6	C.6: Mandatory if 7/42 is supported, otherwise Excluded.
<input type="checkbox"/>	7/45	GetFolderItems(Filesystem)	AVRCP 1.4 - 6.10.4.2	C.6	C.6: Mandatory if 7/42 is supported, otherwise Excluded.
<input type="checkbox"/>	7/46	GetItemAttributes	AVRCP 1.4 - 6.10.4.3	C.6	C.6: Mandatory if 7/42 is supported, otherwise Excluded.
<input type="checkbox"/>	7/47	PlayItem(Filesystem)	AVRCP 1.4 - 6.12.1	C.6	C.6: Mandatory if 7/42 is supported, otherwise Excluded.
<input type="checkbox"/>	7/48	EVENT_UIDS_CHANGED	AVRCP 1.4 - 6.10.3.3	C.9	C.9: Mandatory if 7/49 is supported, otherwise Optional.
<input type="checkbox"/>	7/49	Database Aware Players	AVRCP 1.4 - 6.10.3.2	O	
<input type="checkbox"/>	7/50	Searching	AVRCP 1.4 - 6.11	O	
<input type="checkbox"/>	7/51	Search	AVRCP 1.4 - 6.11	C.10	C.10: Mandatory if 7/50 is supported, otherwise Excluded.
<input type="checkbox"/>	7/52	GetFolderItems(Search Results)	AVRCP 1.4 - 6.10.4.2	C.10	C.10: Mandatory if 7/50 is supported, otherwise Excluded.
<input type="checkbox"/>	7/53	PlayItem(SearchResultList)	AVRCP 1.4 - 6.12.1	C.10	C.10: Mandatory if 7/50 is supported, otherwise Excluded.
<input type="checkbox"/>	7/54	NowPlaying	AVRCP 1.4 - 6.10.1	C.11	C.11: Mandatory if 7/42 is supported, otherwise Optional.
<input type="checkbox"/>	7/55	GetFolderItems(NowPlayingList)	AVRCP 1.4 - 6.10.4.2	C.11	C.11: Mandatory if 7/42 is supported, otherwise Optional.
<input type="checkbox"/>	7/56	PlayItem(NowPlayingList)	AVRCP 1.4 - 6.12.1	C.11	C.11: Mandatory if 7/42 is supported, otherwise Optional.
<input type="checkbox"/>	7/57	AddToNowPlaying	AVRCP 1.4 - 6.12.2	O	



<input type="checkbox"/>	7/58	EVENT_NOW_PLAYING_CONTENT_CHANGED	AVRCP 1.4 - 6.9.5	C.11	C.11: Mandatory if 7/42 is supported, otherwise Optional.
<input type="checkbox"/>	7/59	Playable Folders	AVRCP 1.4 - 6.10.2.2	O	
<input checked="" type="checkbox"/>	7/60	Absolute Volume	AVRCP 1.4 - 6.13	C.5	C.5: Mandatory if 7/8 is supported, otherwise Excluded.
<input checked="" type="checkbox"/>	7/61	SetAbsoluteVolume	AVRCP 1.4 - 6.13.1	C.5	C.5: Mandatory if 7/8 is supported, otherwise Excluded.
<input checked="" type="checkbox"/>	7/62	NotifyVolumeChange	AVRCP 1.4 - 6.13.2	C.5	C.5: Mandatory if 7/8 is supported, otherwise Excluded.
<input type="checkbox"/>	7/63	Error Response	AVRCP 1.4 - 6.15	O	
<input type="checkbox"/>	7/64	General Reject	AVRCP 1.4 - 6.15.2.1	C.13	C.13: Mandatory if 7/7 or 7/9 or 7/42 is supported, otherwise Optional.
<input checked="" type="checkbox"/>	7/65	Discoverable Mode	AVRCP 1.4 - 12.1	M	
<input type="checkbox"/>	7/66	PASSTHROUGH operation supporting Press and Hold	AVRCP 4.1.3	O	
<input type="checkbox"/>	7/42a	Initiating connection establishment for browsing channel	4.1.1	O	
<input type="checkbox"/>	7/38b	GetTotalNumberOfItems(MediaPlayer List)	AVRCP 1.6 - 6.10.4.4	C.8	C.8: Mandatory if (7/7 or 7/9) is supported, otherwise Excluded.
<input type="checkbox"/>	7/45b	GetTotalNumberOfItems(Filesystem)	AVRCP 1.6 - 6.10.4.4	C.6	C.6: Mandatory if 7/42 is supported, otherwise Excluded.
<input type="checkbox"/>	7/52b	GetTotalNumberOfItems(SearchResults)	AVRCP 1.6 - 6.10.4.4	C.10	C.10: Mandatory if 7/50 is supported, otherwise Excluded.
<input type="checkbox"/>	7/55b	GetTotalNumberOfItems(NowPlayingList)	AVRCP 1.6 - 6.10.4.4	C.11	C.11: Mandatory if 7/42 is supported, otherwise Optional.
<input type="checkbox"/>	7/67	Cover Art	AVRCP 1.6 - 5.14	O	
<input type="checkbox"/>	7/68	GetImageProperties	AVRCP 1.6 - 5.14	C.16	C.16: Mandatory if 7/67 (Cover Art) is supported, otherwise Excluded.
<input type="checkbox"/>	7/69	GetImage	AVRCP 1.6 - 5.14	C.16	C.16: Mandatory if 7/67 (Cover Art) is supported, otherwise Excluded.
<input type="checkbox"/>	7/70	GetLinkedThumbnail	AVRCP 1.6 - 5.14	C.16	C.16: Mandatory if 7/67 (Cover Art) is supported, otherwise Excluded.
<input type="checkbox"/>	7/43a	Non-addressed Player Browsing	AVRCP 1.6 - 6.9.3	C.17	C.17: Optional IF 7/42 (Browsing) is supported, otherwise Excluded .



## Application Feature

### Table 9: Operation\_id of category 2 for TG

Prerequisite: AVRCP 7/8

Support	Item	Capability	System Spec Reference	Status	Comment
<input type="checkbox"/>	9/1	0	See Comments	O	
<input type="checkbox"/>	9/2	1	See Comments	O	
<input type="checkbox"/>	9/3	2	See Comments	O	
<input type="checkbox"/>	9/4	3	See Comments	O	
<input type="checkbox"/>	9/5	4	See Comments	O	
<input type="checkbox"/>	9/6	5	See Comments	O	
<input type="checkbox"/>	9/7	6	See Comments	O	
<input type="checkbox"/>	9/8	7	See Comments	O	
<input type="checkbox"/>	9/9	8	See Comments	O	
<input type="checkbox"/>	9/10	9	See Comments	O	
<input type="checkbox"/>	9/11	dot	See Comments	O	
<input type="checkbox"/>	9/12	enter	See Comments	O	
<input type="checkbox"/>	9/13	clear	See Comments	O	
<input type="checkbox"/>	9/14	sound select	See Comments	O	
<input type="checkbox"/>	9/15	input select	See Comments	O	
<input type="checkbox"/>	9/16	display information	See Comments	O	
<input type="checkbox"/>	9/17	help	See Comments	O	
<input type="checkbox"/>	9/18	power	See Comments	O	
<input checked="" type="checkbox"/>	9/19	volume up	See Comments	M	
<input checked="" type="checkbox"/>	9/20	volume down	See Comments	M	



---

<input type="checkbox"/>	9/21	mute	See Comments	O
<input type="checkbox"/>	9/22		See Comments	O
<input type="checkbox"/>	9/23		See Comments	O
<input type="checkbox"/>	9/24	F1	See Comments	O
<input type="checkbox"/>	9/25	F2	See Comments	O
<input type="checkbox"/>	9/26	F3	See Comments	O
<input type="checkbox"/>	9/27	F4	See Comments	O
<input type="checkbox"/>	9/28	vendor unique	See Comments	O
<input type="checkbox"/>	9/27a	F5	See Comments	O



## Annex 2 Test plan generated by launch studio

AVRCP.TS.1.6.1.2			
Test Case ID	Legacy Test Case ID	Test Case Description	Test Case Category
TP/PTH/BV-01-C	TP/PTH/BV-01-C	Press and Release - CT	TG IUT:;CT IUT:B
TP/PTT/BV-01-I	TP/PTT/BV-01-I	PASS THROUGH command transfer-category 1	TG IUT:B;CT IUT:B
TP/PTT/BV-02-I	TP/PTT/BV-02-I	PASS THROUGH command transfer-category 2	TG IUT:B;CT IUT:B
TP/VLH/BI-01-C	TP/VLH/BI-01-C	Set Absolute Volume invalid behavior TG	TG IUT:B;CT IUT:N/A
TP/VLH/BI-02-C	TP/VLH/BI-02-C	Set Absolute Volume invalid behavior TG	TG IUT:B;CT IUT:N/A
TP/VLH/BV-02-C	TP/VLH/BV-02-C	Set Absolute Volume - TG	TG IUT:B;CT IUT:N/A
TP/VLH/BV-01-I	TP/VLH/BV-01-I	Monitoring the TG Volume on the CT	TG IUT:;CT IUT:B
TP/VLH/BV-02-I	TP/VLH/BV-02-I	Changing the Volume	TG IUT:;CT IUT:B
TP/VLH/BV-04-C	TP/VLH/BV-04-C	NotifyVolumeChange - TG	TG IUT:B;CT IUT:N/A
TP/CEC/BV-01-I	TP/CEC/BV-01-I	Connection establishment -CT	TG IUT:A;CT IUT:A
TP/CEC/BV-02-I	TP/CEC/BV-02-I	Connection establishment -TG	TG IUT:B;CT IUT:A
TP/CRC/BV-01-I	TP/CRC/BV-01-I	Connection release-CT	TG IUT:A;CT IUT:A
TP/CRC/BV-02-I	TP/CRC/BV-02-I	Connection release-TG	TG IUT:A;CT IUT:A
TP/ICC/BV-01-I	TP/ICC/BV-01-I	Information collection by UNIT INFO command	TG IUT:A;CT IUT:B
TP/ICC/BV-02-I	TP/ICC/BV-02-I	Information collection by SUBUNIT INFO command	TG IUT:A;CT IUT:B