



Test Report

Report No.: CQASZ170701322EW-06

Test Description: Bluetooth Profile Interoperability Test Report for HFP
Product/Design Name: 1MORE iBFree Sport Bluetooth In-Ear Headphones
Product/Design ID: E1018BT; E1002; E1003; E1009
Trademark: 1MORE
Applicant: 1MORE Shen Zhen Acoustic Technology Co., Ltd.
Manufacturer: 1MORE Shen Zhen Acoustic Technology Co., Ltd.
Test Specification: Bluetooth Profile Specification Version 1.5 - Hands-Free Profile
Bluetooth Hands-Free Profile (HFP) Test Specification: HFP.TS.1.7.1

Test Report Prepared by.....
Test Engineer Aaron Wu

Test Report Reviewed by.....
Test Reviewer Owen Zhou

Bluetooth® Profile Interoperability Test Report

The Bluetooth® word mark and logos are registered trademarks owned by Bluetooth SIG, Inc. and any use of such marks by CQA is under license. Other trademarks and trade names are those of their respective owners.

Index

1	General Information.....	3
1.1	General.....	3
1.1.1	Administrative data of Test Facility	3
1.1.2	Administrative data of Applicant.....	4
1.1.3	Administrative data of EUT Manufacturer	4
1.2	Description of EUT.....	5
2	Summary List of All Test Cases	6
3	Profile Testing.....	11
3.1	Description of Test Set-up	11
3.2	List of Performed Test Cases	12
3.3	Referenced Documents	13
3.4	Additional Information	13
3.5	Test Sample Information.....	13
3.6	List of Test Equipments	13
Annex 1	Profile Implementation Conformance Statement.....	14
Annex 2	Test plan generated by TPG	18



1 General Information

1.1 General

1.1.1 Administrative data of Test Facility

Test Facility: Shenzhen Huaxia Testing Technology Co., Ltd

Test Facility Address: 1F., Block A of Tongsheng Technology Building, Huahui Road, Dalang Street, Longhua District, Shenzhen, China

Phone Number: 86-755-26648642

Fax: +86-755-26648637

Email: Owen.zhou@cqa-cert.com

Contact Person: Mr. Owen Zhou



1.1.2 Administrative data of Applicant

Applicant: 1MORE Shen Zhen Acoustic Technology Co., Ltd.

Applicant Address: Tianliao Building 1403-1411, Zone A Tianliao Industrial Park, Taoyuan Street, Nanshan District, Shenzhen, P.R. China

Responsible Person: Sunny Sun

Phone Number: +86 181 2885 7892

Fax:

Email : sunny.sun@1more.com

1.1.3 Administrative data of EUT Manufacturer

EUT Manufacturer: 1MORE Shen Zhen Acoustic Technology Co., Ltd.

Manufacturer Address: Tianliao Building 1403-1411, Zone A Tianliao Industrial Park, Taoyuan Street, Nanshan District, Shenzhen, P.R. China

Responsible Person: Sunny Sun

Phone Number: +86 181 2885 7892

Fax:

Email: sunny.sun@1more.com

1.2 Description of EUT

Product name: 1MORE iBFree Sport Bluetooth In-Ear Headphones

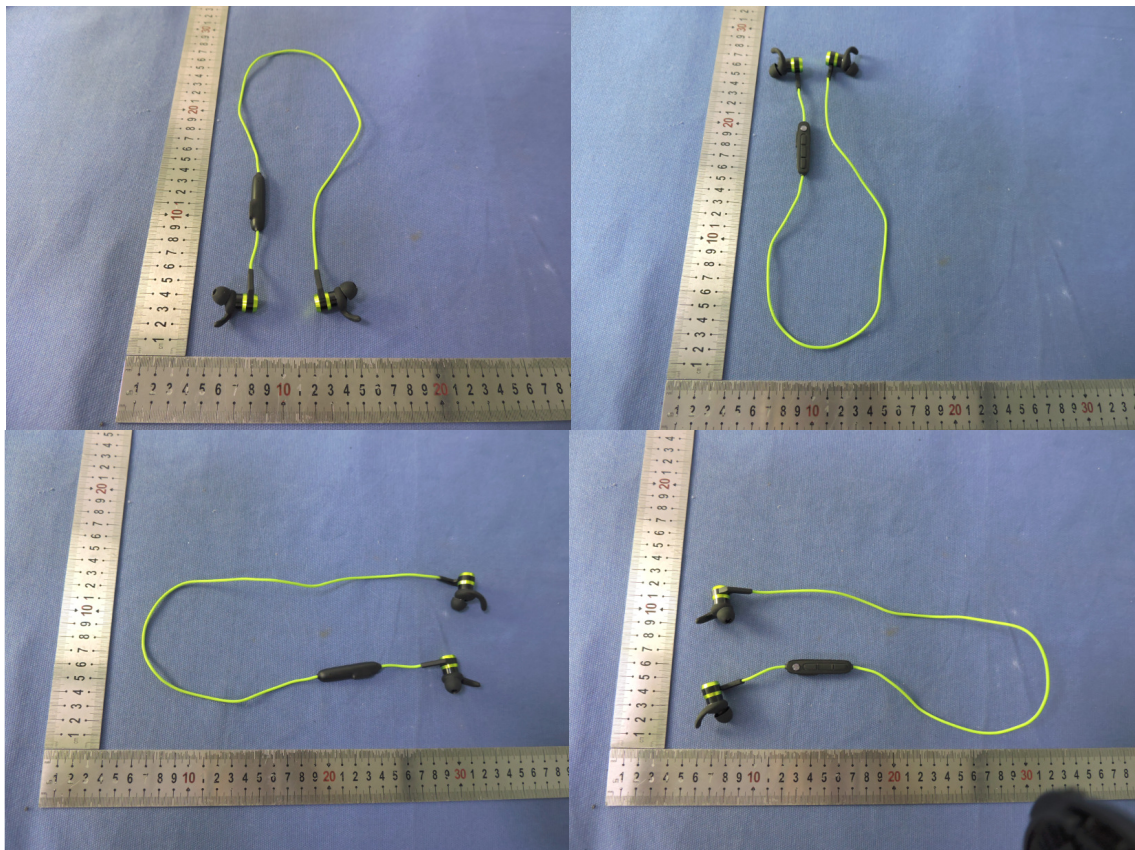
Product description: 1MORE iBFree Sport Bluetooth In-Ear Headphones

Product ID/Model: E1018BT; E1002; E1003; E1009

Hardware Version: V3.0

Software Version: V1.0

Photos of Product:



2 Summary List of All Test Cases

Hands-Free Profile				
No	TC identifier	Description	Verdict	Comments
1	TP/OOR/BV-01-I	AG reconnects to HF	Pass	Refer to PTS
2	TP/OOR/BV-02-I	HF reconnects to AG	Pass	Refer to PTS
3	TP/TRS/BV-01-C	Transfer registration status	Pass	Refer to PTS
4	TP/PSI/BV-01-C	Transfer signal strength indication	N/A	
5	TP/PSI/BV-02-C	Transfer roaming status indication	N/A	
6	TP/PSI/BV-03-C	Transfer roaming status indication	N/A	
7	TP/PSI/BV-04-I	Query Operator Selection	N/A	
8	TP/PSI/BV-05-I	Transfer roaming status indication - Roaming function not supported	N/A	
9	TP/ACS/BV-01-I	HF is IUT, HF Initiated, AG is SCO only	N/A	
10	TP/ACS/BV-02-I	AG is IUT, AG Initiated, HF is SCO only	N/A	
11	TP/ACS/BV-03-I	HF is IUT, AG Initiated, AG is SCO only	Pass	Refer to PTS
12	TP/ACS/BV-04-I	AG is IUT, HF Initiated, HF is SCO only	N/A	
13	TP/ACS/BV-05-I	HF is IUT, HF Initiated, AG has eSCO	N/A	
14	TP/ACS/BV-06-I	AG is IUT, AG Initiated, HF has eSCO	N/A	
15	TP/ACS/BV-07-I	HF is IUT, AG Initiated, AG has eSCO	Pass	Refer to PTS
16	TP/ACS/BV-08-I	AG is IUT, HF Initiated, HF has eSCO	N/A	
17	TP/ACS/BV-09-I	HF is IUT, HF Initiated, AG has eSCO allows only SCO	N/A	
18	TP/ACS/BV-10-I	AG is IUT, AG Initiated, HF has eSCO allows only SCO	N/A	
19	TP/ACS/BV-11-I	AG is IUT, HF Initiated eSCO with 18ms latency	N/A	
20	TP/ACS/BV-12-I	HF is IUT, AG Initiates eSCO with 18ms latency	Pass	Refer to PTS
21	TP/ACS/BI-13-I	HF is IUT, AG Initiates eSCO with invalid bandwidth	Pass	Refer to PTS
22	TP/ACS/BI-14-I	AG is IUT, HF Initiates eSCO with invalid bandwidth	N/A	
23	TP/ACS/BV-15-I	HF is IUT, AG Initiates eSCO with S4 Settings	N/A	
24	TP/ACS/BV-16-I	AG is IUT, HF requests eSCO with S4 Settings	N/A	
25	TP/ACS/BV-17-I	HF is IUT, HF requests eSCO over Secure Connections	N/A	
26	TP/ACS/BV-18-I	AG is IUT, AG Initiates eSCO over Secure Connections	N/A	
27	TP/ACR/BV-01-I	Audio release - HF initiated	Pass	Refer to PTS
28	TP/ACR/BV-02-I	Audio release - AG initiated	Pass	Refer to PTS
29	TP/CLI/BV-01-I	Caller ID	N/A	
30	TP/ICA/BV-01-I	Answer incoming call HF - inband ring	Pass	Refer to PTS
31	TP/ICA/BV-02-I	Answer incoming call HF - inband setting	Pass	Refer to PTS
32	TP/ICA/BV-03-I	Answer incoming call HF - ring muting	N/A	
33	TP/ICA/BV-04-I	Answer incoming call HF - no inband ring	Pass	Refer to PTS
34	TP/ICA/BV-05-I	Answer incoming call HF - no inband ring +	Pass	Refer to PTS



Hands-Free Profile				
No	TC identifier	Description	Verdict	Comments
		audio connection		
35	TP/ICA/BV-06-I	Answer incoming call AG	Pass	Refer to PTS
36	TP/ICR/BV-01-I	Reject incoming Call from HF	Pass	Refer to PTS
37	TP/ICR/BV-02-I	Reject incoming Call from AG	Pass	Refer to PTS
38	TP/TCA/BV-01-I	Terminate a Call - HF terminated	Pass	Refer to PTS
39	TP/TCA/BV-02-I	Terminate a Call - AG terminated	Pass	Refer to PTS
40	TP/TCA/BV-03-I	Terminate a Call - Remote party terminated	Pass	Refer to PTS
41	TP/TCA/BV-04-I	Outgoing Call Abandon from HF	Pass	Refer to PTS
42	TP/TCA/BV-05-I	Terminate Ongoing Call - While Call Waiting	N/A	
43	TP/TCA/BV-06-I	Terminate a Call - AG terminated NO CARRIER	N/A	
44	TP/ATH/BV-03-I	HF Initiated Audio Transfer to the HF - No SLC	N/A	
45	TP/ATH/BV-04-I	HF Initiated Audio Transfer to the HF - SLC	N/A	
46	TP/ATH/BV-05-I	AG Initiated Audio Transfer to the HF - No SLC	Pass	Refer to PTS
47	TP/ATH/BV-06-I	AG Initiated Audio Transfer to the HF - SLC]	Pass	Refer to PTS
48	TP/ATA/BV-01-I	AG initiated Audio transfer to the AG	Pass	Refer to PTS
49	TP/ATA/BV-02-I	HF initiated Audio transfer to the AG	N/A	
50	TP/OCN/BV-01-I	Place call - phone number	N/A	
51	TP/OCM/BV-01-I	Place call - memory	N/A	
52	TP/OCM/BV-02-I	Place call - no number at memory location	N/A	
53	TP/OCL/BV-01-I	Place call - last number	N/A	
54	TP/OCL/BV-02-I	Place call - No last number stored in the AG	N/A	
55	TP/TWC/BV-01-I	3 Way - Call waiting- User Busy	N/A	
56	TP/TWC/BV-02-I	3 Way - Drop Active/Retrieve Waiting Call	N/A	
57	TP/TWC/BV-03-I	3 Way - Hold Active/Retrieve Waiting Call or Held	N/A	
58	TP/TWC/BV-04-I	3 Way - Join Calls	N/A	
59	TP/TWC/BV-05-I	3 Way - HF Initiated	N/A	
60	TP/TWC/BV-06-I	3 Way - Explicit Call Transfer	N/A	
61	TP/CIT/BV-01-I	Incoming call interrupted - call terminated	Pass	Refer to PTS
62	TP/ENO/BV-01-I	EC/NR OFF - AG supports EC/NR	N/A	
63	TP/ENO/BV-02-I	EC/NR OFF - AG doesn't support EC/NR	N/A	
64	TP/VRA/BV-01-I	Voice recognition activation HF	N/A	
65	TP/VRA/BV-02-I	Voice recognition activation AG	N/A	
66	TP/VRA/BI-01-I	Voice Recognition Activation from AG to HF Not Supported	N/A	
67	TP/VRD/BV-01-I	Voice recognition deactivation	N/A	
68	TP/VTG/BV-01-I	Phone number/voice tag - AG accepts	N/A	
69	TP/TDC/BV-01-I	Transmit DTMF	N/A	
70	TP/RSV/BV-01-I	Speaker vol ctrl - remote/local	Pass	Refer to PTS
71	TP/RSV/BV-02-I	Speaker vol ctrl - remote	Pass	Refer to PTS
72	TP/RSV/BV-03-I	Speaker vol ctrl - store settings	Pass	Refer to PTS



Hands-Free Profile				
No	TC identifier	Description	Verdict	Comments
73	TP/RMV/BV-01-I	Micro gain ctrl - remote/local	N/A	
74	TP/RMV/BV-02-I	Micro gain ctrl - remote	N/A	
75	TP/RMV/BV-03-I	Micro gain ctrl - store settings	N/A	
76	TP/ECS/BV-01-I	Query List of Current Calls	N/A	
77	TP/ECS/BV-02-I	Sending of Correct Call Status on SLC Initialization	N/A	
78	TP/ECS/BV-03-I	Transfer of Current Call Status to Held	Pass	Refer to PTS
79	TP/ECC/BV-01-I	Release Specified Call Index	N/A	
80	TP/ECC/BV-02-I	Private consultation Mode	N/A	
81	TP/ECC/BI-03-I	Enhanced Call Control Not Supported-Release Call	N/A	
82	TP/ECC/BI-04-I	Enhanced Call Control Not Supported-Private Consult Mode	N/A	
83	TP/RHH/BV-01-I	Query Response and Hold Status	N/A	
84	TP/RHH/BV-02-I	Put an Incoming Call on Hold from HF	N/A	
85	TP/RHH/BV-03-I	Put an Incoming call on Hold from AG	N/A	
86	TP/RHH/BV-04-I	Accept a held incoming call from HF	N/A	
87	TP/RHH/BV-05-I	Accept a held incoming call from AG	N/A	
88	TP/RHH/BV-06-I	Reject a held incoming call from HF	N/A	
89	TP/RHH/BV-07-I	Reject a held incoming call from AG	N/A	
90	TP/RHH/BV-08-I	Held incoming call terminated by caller	N/A	
91	TP/NUM/BV-01-I	Query AG with Subscriber Number Information	N/A	
92	TP/NUM/BI-01-I	HF supports SNI - AG does not support SNI	N/A	
93	TP/SLC/BV-01-C	HF Initiates SLC with 3-way	N/A	
94	TP/SLC/BV-02-C	AG Initiates SLC with 3-way	N/A	
95	TP/SLC/BV-03-C	HF Initiates SLC. No 3-way	Pass	Refer to PTS
96	TP/SLC/BV-04-C	AG Initiates SLC. No 3-way	Pass	Refer to PTS
97	TP/SLC/BV-05-I	HF Initiates SLC with codec negotiation	N/A	
98	TP/SLC/BV-06-I	AG Initiates SLC with codec negotiation	N/A	
99	TP/SLC/BV-07-I	HF Initiates SLC without codec negotiation	N/A	
100	TP/SLC/BV-08-I	AG Initiates SLC without codec negotiation	N/A	
101	TP/SLC/BV-09-I	SLC, Lower Tester and IUT both support HF Indicator, with some in common	N/A	
102	TP/SLC/BV-10-I	SLC, IUT support HF Indicator, Lower Tester does not	N/A	
103	TP/DIS/BV-01-I	Verify inquiry and discoverability	Pass	Refer to PTS
104	TP/SDP/BV-01-I	Service Search Request	Pass	Refer to PTS
105	TP/ATAH/BV-01-I	Multiple audio transfers during call - AG and HF initiated	N/A	
106	TP/ATA/BV-03-I	Audio transfer by SLC release during an active call	N/A	
107	TP/ATH/BV-09-I	Audio transfer by powering ON HF	N/A	
108	TP/SDP/BV-02-C	SLC during SDP response	N/A	
109	TP/SDP/BV-03-C	Handle dynamic server channel number for	N/A	



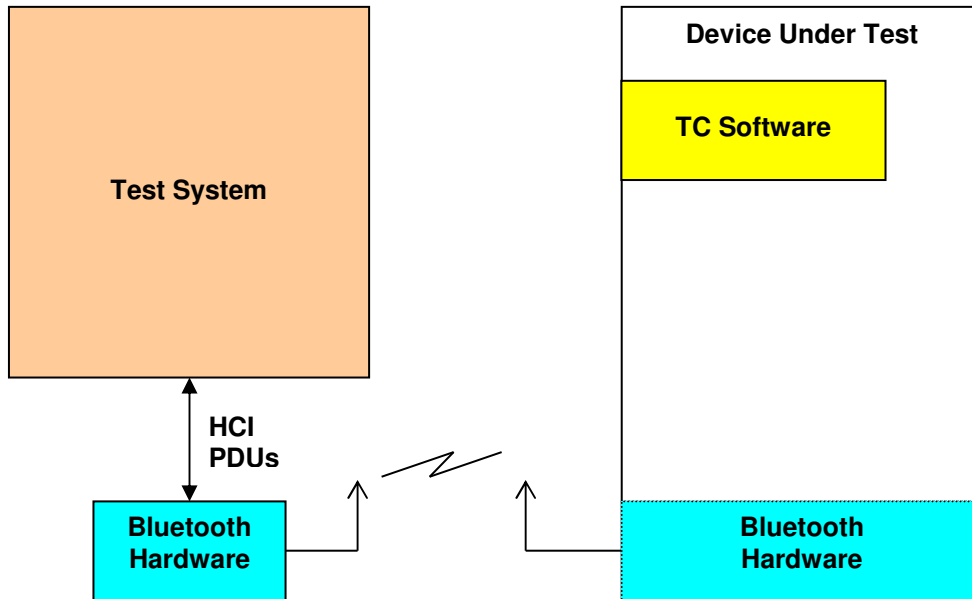
Hands-Free Profile				
No	TC identifier	Description	Verdict	Comments
		HFP service		
110	TP/DIS/BV-02-I	HF disallows connections in non-discoverable mode	N/A	
111	TP/ICA/BV-07-I	HF connects to AG during in-coming call	N/A	
112	TP/ICA/BV-08-I	Link loss during in-coming call]	N/A	
113	TP/ICA/BV-09-I	SLC release during in-coming call	N/A	
114	TP/VRA/BV-03-I	Voice Recognition Activation	N/A	
115	TP/OCA/BV-01-I	Place outgoing call by dialing number on the AG	N/A	
116	TP/ACC/BV-01-I	Codec Connection Setup - HF Initiated	N/A	
117	TP/ACC/BV-02-I	Codec Connection Setup following an initial successful Codec Connection Setup - HF Initiated	N/A	
118	TP/ACC/BV-03-I	Codec Connection Setup Failure - HF Initiated	N/A	
119	TP/ACC/BV-04-I	Codec Connection Setup - AG Initiated	N/A	
120	TP/ACC/BV-05-I	Codec Connection Setup Failure - AG Initiated	N/A	
121	TP/ACC/BV-06-I	Codec Connection - AG Initiated - Verify Support for T1 Settings	N/A	
122	TP/ACC/BV-07-I	Codec Connection - AG Initiated - Verify Support for T2 Settings	N/A	
123	TP/ACC/BV-08-I	Codec Connection - AG Initiated - Verify Support for T1 Settings	N/A	
124	TP/ACC/BV-09-I	Codec Connection Setup Failure - HF Initiated	N/A	
125	TP/ACC/BV-10-I	Codec Connection Setup- AG Initiated	N/A	
126	TP/ACC/BV-11-I	Codec Connection Setup following an initial successful Codec Connection Setup - AG Initiated	N/A	
127	TP/ACC/BI-12-I	Codec Connection Setup failure due to invalid eSCO parameters	N/A	
128	TP/ACC/BI-13-I	Codec Connection Setup failure, codec currently unavailable on the HF device	N/A	
129	TP/ACC/BI-14-I	Codec Connection Setup failure, WBS codecs currently unavailable on the HF device	N/A	
130	TP/ACC/BV-15-I	Codec Connection Setup failure due to invalid eSCO parameters	N/A	
131	TP/WBS/BV-01-I	AG SDP record supports WBS service speech service	N/A	
132	TP/WBS/BV-02-I	HF SDP record supports WBS service speech service	N/A	
133	TP/WBS/BV-03-I	Verify HF device correctly supports codec re-negotiation during SLC	N/A	
134	TP/HFI/BV-01-I	HF sends an updated HF indicator value	N/A	
135	TP/HFI/BV-02-I	AG receives an updated HF indicator value	N/A	
136	TP/HFI/BI-03-I	AG receives invalid updated HF indicator values	N/A	
137	TP/IIA/BV-01-I	Activate all indicators using a fixed string	N/A	
138	TP/IIA/BV-02-I	Activate only service indicator	N/A	
139	TP/IIA/BV-03-I	Deactivate only battery level status & signal strength indicator	N/A	



Hands-Free Profile				
No	TC identifier	Description	Verdict	Comments
140	TP/IIA/BV-04-I	Activate or deactivate specific indicators	N/A	
141	TP/IIA/BV-05-I	Active only battery level indicator	N/A	
142	TP/IID/BV-01-I	Deactivate all non-mandatory indicators using a fixed string	N/A	
143	TP/IID/BV-02-I	Deactivate only sig. strength indicator	N/A	
144	TP/IID/BV-03-I	Deactivate all non-mandatory indicators using a fixed string	N/A	
145	TP/IID/BV-04-I	Deactivate only signal strength indicator - Battery status reported	N/A	
146	TP/IIC/BV-01-I	Standard event reporting off and all indicators activated	N/A	
147	TP/IIC/BV-02-I	Register individual indicators configuration when standard event reporting is OFF	N/A	
148	TP/IIC/BV-03-I	Standard indicator read command still works when indicators are deactivated	N/A	

3 Profile Testing

3.1 Description of Test Set-up



The Test System PTS for Bluetooth is running on a PC System.

The test system communicates with the Bluetooth Hardware via an HCI connection.

The tests are performed as remote tests and all communication between the Test System and the DUT is done via the radio interface.



3.2 List of Performed Test Cases

Profile: HFP

Role: Hands-Free Unit

Audio Gateway

TC-Identifier	Final Verdict	Date of Test
TP/ACR/BV-01-I	Pass	2017-07-29
TP/ACR/BV-02-I	Pass	2017-07-29
TP/ACS/BI-13-I	Pass	2017-07-29
TP/ACS/BV-03-I	Pass	2017-07-29
TP/ACS/BV-07-I	Pass	2017-07-29
TP/ACS/BV-12-I	Pass	2017-07-29
TP/ATA/BV-01-I	Pass	2017-07-29
TP/ATH/BV-05-I	Pass	2017-07-29
TP/ATH/BV-06-I	Pass	2017-07-29
TP/CIT/BV-01-I	Pass	2017-07-29
TP/DIS/BV-01-I	Pass	2017-07-29
TP/ECS/BV-03-I	Pass	2017-07-29
TP/ICA/BV-01-I	Pass	2017-07-29
TP/ICA/BV-02-I	Pass	2017-07-29
TP/ICA/BV-04-I	Pass	2017-07-29
TP/ICA/BV-05-I	Pass	2017-07-29
TP/ICA/BV-06-I	Pass	2017-07-29
TP/ICR/BV-01-I	Pass	2017-07-29
TP/ICR/BV-02-I	Pass	2017-07-29
TP/OOR/BV-01-I	Pass	2017-07-29
TP/OOR/BV-02-I	Pass	2017-07-29
TP/RSV/BV-01-I	Pass	2017-07-29
TP/RSV/BV-02-I	Pass	2017-07-29
TP/RSV/BV-03-I	Pass	2017-07-29
TP/SDP/BV-01-I	Pass	2017-07-29
TP/SLC/BV-03-C	Pass	2017-07-29
TP/SLC/BV-04-C	Pass	2017-07-29
TP/TCA/BV-01-I	Pass	2017-07-29
TP/TCA/BV-02-I	Pass	2017-07-29
TP/TCA/BV-03-I	Pass	2017-07-29
TP/TCA/BV-04-I	Pass	2017-07-29
TP/TRS/BV-01-C	Pass	2017-07-29

3.3 Referenced Documents

Document Name	Version	Issue Date
Hands-Free Profile 1.5	V1.5	10 May 2011
Hands-Free Profile (HFP) 1.5-1.7 <i>Bluetooth</i> ® Test Specification	HFP.TS.1.7.1.2	13 Dec 2016
Hands-Free Profile (HFP) 1.5-1.7 <i>Bluetooth</i> ® Implementation Conformance Statement (ICS) Proforma	HFP.ICS.1.7.1.1	07 Jul 2016
Test Case Reference List	2016-2	13 Dec 2016

3.4 Additional Information

The test results presented in this test report apply only to the particular implementation under test (IUT) Declared in clause 1.2 of this report, for the functionality described in the relevant Protocol Implementation Statement (PICS), as presented for test on the date(s) declared in the relevant Protocol Implementation Extra Information for testing (PIXIT).

This test report does not constitute or imply, by its own, to be an approval of the product by Qualification Bodies, Certification Bodies or competent Authorities.

This document is only valid if complete; no partial reproduction can be made without written approval of the Test Laboratory.

This test report cannot be used partially or in full publicity and/or promotional purposes without previous written approval of the Test Laboratory.

Abbreviations in this report:

OK, Pass, P	=	passed
F	=	failed
N/A	=	not applicable
NT	=	not tested
EUT	=	equipment under test

Explanation of model designation:

The applicant declared that models E1018BT; E1002; E1003 and E1009 are identical in both design and implementation and differ only by non-functional characteristics. Tested model is E1018BT.

3.5 Test Sample Information

The following sample was used for testing.

Sample No	Serial No/BT address	Date Of Reception
SZCR170726-01	F44EFD410C5D	2017-07-26

3.6 List of Test Equipments

Profile Tuning Suite: PTS v. 7.0.0
HFP-ETS v. 10.0.0.70
EZURIO 4.0 PTS Dongle

Annex 1 Profile Implementation Conformance Statement

TABLE OF CONTENTS
1.1 Roles
1.2 Audio Gateway Capabilities
1.3 Hands-Free Capabilities
1.4 Audio Coding Requirements

1.1 Roles

[\[top \]](#)




Table 0: Profile Version

Item	Capability	System Spec Reference	Status	Support [Yes] or [No]
1	<i>(Intentionally left blank)</i>			<input type="radio"/> <input checked="" type="radio"/>
2	<i>(Intentionally left blank)</i>			<input type="radio"/> <input checked="" type="radio"/>
3	<i>(Intentionally left blank)</i>			<input type="radio"/> <input checked="" type="radio"/>

C.1: It is mandatory to support only one of the adopted versions.


Table 0b: HF Major Profile Version

Prerequisite: 1/2 (Hands-Free (HF))

Item	Capability	System Spec Reference	Status	Support [Yes] or [No]
1	Hands-Free Profile 1.5 	HFP 1.5	C.1	<input checked="" type="radio"/> <input type="radio"/>
2	Hands-Free Profile 1.6 	HFP 1.6	C.1	<input type="radio"/> <input checked="" type="radio"/>
3	Hands-Free Profile 1.7 	HFP 1.7	C.1	<input type="radio"/> <input checked="" type="radio"/>

C.1: Mandatory to support one and only one profile version.

Table 1: Roles

Item	Capability	System Spec Reference	Status	Support [Yes] or [No]
1	Audio Gateway (AG) 	2.2	C.1	<input type="radio"/> <input checked="" type="radio"/>
2	Hands-Free (HF) 	2.2	C.1	<input checked="" type="radio"/> <input type="radio"/>

C.1: It is mandatory to support at least one of the defined roles.

Table 3: Capabilities of the HF

Prerequisite: 1/2

Item	Capability	System Spec Reference	Status	Support [Yes] or [No]
1	Connection Management	4.2; 4.3	M	<input checked="" type="radio"/> <input type="radio"/>
2a	Phone Status Information ("service" and "call" indicators)	4.4; 4.10	M	<input checked="" type="radio"/> <input type="radio"/>
2b	Phone Status Information ("callsetup" indicator)	4.10	O	<input type="radio"/> <input checked="" type="radio"/>
2c	Accept indicator of signal strength	4.5	O	<input type="radio"/> <input checked="" type="radio"/>
2d	Accept indicator of roaming state ("roam:")	4.6	O	<input type="radio"/> <input checked="" type="radio"/>
2e	Accept indicator of battery level ("battchg")	4.7	O	<input type="radio"/> <input checked="" type="radio"/>
2f	Accept indicator of operator selection	4.8	O	<input type="radio"/> <input checked="" type="radio"/>
3	Audio connection handling	4.11; 4.12	M	<input checked="" type="radio"/> <input type="radio"/>
3a	Audio connection establishment independent of call processing	4.11; 4.12	O	<input type="radio"/> <input checked="" type="radio"/>
3b	eSCO support in Audio Connection [?]	5.7.1	C.7	<input type="radio"/> <input checked="" type="radio"/>
3c	Codec negotiation	4.11	C.5	<input type="radio"/> <input checked="" type="radio"/>
4a	Accept an incoming voice call (in-band ring)	4.13	M	<input checked="" type="radio"/> <input type="radio"/>
4b	Accept an incoming voice call (no in-band ring)	4.13	M	<input checked="" type="radio"/> <input type="radio"/>
4c	Accept an incoming voice call (in-band ring muting)	4.13	O	<input type="radio"/> <input checked="" type="radio"/>
5	Reject an incoming voice call	4.14	M	<input checked="" type="radio"/> <input type="radio"/>
6	Terminate a call	4.15	M	<input checked="" type="radio"/> <input type="radio"/>
7	Audio connection transfer during an ongoing call	4.16; 4.17	M	<input checked="" type="radio"/> <input type="radio"/>
7a	HF-initiated Audio transfer to AG during ongoing call [?]	4.17	O	<input type="radio"/> <input checked="" type="radio"/>
8	Place a call with a phone number supplied by the HF	4.18	O	<input type="radio"/> <input checked="" type="radio"/>
9	Place a call using memory dialing	4.19	O	<input type="radio"/> <input checked="" type="radio"/>
10	Place a call to the last number dialed	4.20	O	<input type="radio"/> <input checked="" type="radio"/>
11	Call waiting notification	4.21	O	<input type="radio"/> <input checked="" type="radio"/>

12	Three Way Calling [?]	4.22	O	<input type="radio"/>	<input checked="" type="radio"/>
12a	Three way calling (AT+CHLD values 0)	4.22	C.2	<input type="radio"/>	<input checked="" type="radio"/>
12b	Three way calling (AT+CHLD values 1 and 2)	4.22	C.1	<input type="radio"/>	<input checked="" type="radio"/>
12c	Three way calling (AT+CHLD value 3)	4.22	C.2	<input type="radio"/>	<input checked="" type="radio"/>
12d	Three way calling (AT+CHLD value 4)	4.22	C.2	<input type="radio"/>	<input checked="" type="radio"/>
12e	Originate new call with established call in progress	4.22	C.2	<input type="radio"/>	<input checked="" type="radio"/>
13	Calling Line Identification (CLI)	4.23	O	<input type="radio"/>	<input checked="" type="radio"/>
14	Echo cancelling (EC) and Noise reduction (NR)	4.24	O	<input type="radio"/>	<input checked="" type="radio"/>
15	Voice recognition activation/deactivation [?]	4.25	O	<input type="radio"/>	<input checked="" type="radio"/>
16	Attach a phone number to a voice tag	4.26	O	<input type="radio"/>	<input checked="" type="radio"/>
17	Ability to transmit DTMF codes	4.27	O	<input type="radio"/>	<input checked="" type="radio"/>
18a	Remote audio volume control – speaker [?]	4.28.1	O	<input checked="" type="radio"/>	<input type="radio"/>
18b	Remote audio volume control – microphone [?]	4.28.1	O	<input type="radio"/>	<input checked="" type="radio"/>
18c	Volume Level Synchronization – speaker	4.28.2	C.3	<input checked="" type="radio"/>	<input type="radio"/>
18d	Volume Level Synchronization – microphone	4.28.2	C.4	<input type="radio"/>	<input checked="" type="radio"/>
18e	HF informs AG about local changes of audio volume	4.28.2	O	<input checked="" type="radio"/>	<input type="radio"/>
18f	HF informs AG about local changes of microphone gain	4.28.2	O	<input type="radio"/>	<input checked="" type="radio"/>
19	Response and hold	4.29	O	<input type="radio"/>	<input checked="" type="radio"/>
20	Subscriber Number Information	4.30	O	<input type="radio"/>	<input checked="" type="radio"/>
21a	Enhanced Call Status	4.31	O	<input type="radio"/>	<input checked="" type="radio"/>
21b	Enhanced Call Control	4.32	C.2	<input type="radio"/>	<input checked="" type="radio"/>
22	Support for automatic link loss recovery	4.3	O	<input type="radio"/>	<input checked="" type="radio"/>
23	Individual Indicator Activation	4.34	C.6	<input type="radio"/>	<input checked="" type="radio"/>
24	Wide Band Speech service [?]	5.7	C.6	<input type="radio"/>	<input checked="" type="radio"/>
25	HF Indicators	HFP 1.7 - 4.35	C.8	<input type="radio"/>	<input checked="" type="radio"/>
26	Support CVSD eSCO S4 setting [?]	HFP 1.7 - 5.7.3	C.9	<input type="radio"/>	<input checked="" type="radio"/>

C.1 Mandatory if (3/12); otherwise Excluded.

C.2 Optional if (3/12); otherwise Excluded.

C.3 Mandatory if 3/18a or 3/18b, otherwise Optional.

C.4 Mandatory if 3/18b, otherwise Optional

C.5: Mandatory if (3/24) otherwise excluded.

C.6: Excluded if (0/1) otherwise optional.

C.7: Mandatory IF 3/26 (S4 Setting) OR 3/24 (Wide Band Speech service) is supported, otherwise Optional.

C.8: Optional IF 0b/1 (HFP v1.5) OR 0b/2 (HFP v1.6) is NOT supported, otherwise Excluded.

C.9: Excluded IF HFP 0b/1 (HFP v1.5) OR HFP 0b/2 (HFP v1.6) is supported, otherwise Mandatory.

Table 4: Requirements towards the Link Control Procedures of the Serial Port Profile (AG and HF)

Item	Capability	System Spec Reference	Status	Support [Yes] or [No]
1	CVSD audio coding over SCO	2.3	M	<input checked="" type="radio"/> <input type="radio"/>
2	mSBC audio coding over eSCO	5.7.4	C.1	<input type="radio"/> <input checked="" type="radio"/>
3	CVSD audio coding over eSCO (Initiating)	HFP 1.7 - 5.7.3	C.2	<input type="radio"/> <input checked="" type="radio"/>
4	CVSD audio coding over eSCO (Accepting)	HFP 1.7 - 5/7/3	C.2	<input type="radio"/> <input checked="" type="radio"/>

C.1: Mandatory if Wide band speech service is supported (HFP 2/24 or HFP 3/24), otherwise excluded.

C.2: Mandatory IF HFP 2/3b (eSCO support in Audio Connection - AG) OR HFP 3/3b (eSCO support in Audio Connection - HF); otherwise Excluded.

Table 8: Additional Hands-Free Capabilities

It is recommended but not required to support any of the capabilities defined below. The Bluetooth license grant obtained through Qualification is not predicated on passing any test that is linked to support of these capabilities.

Item	Capability	System Spec Reference	Status	Support [Yes] or [No]
1	Multiple audio transfers during call – AG and HF initiated	N/A	C.1	<input type="radio"/> <input checked="" type="radio"/>
2	Audio transfer by SLC release during an active call	N/A	C.1	<input type="radio"/> <input checked="" type="radio"/>
3	Audio transfer by powering ON HF	N/A	O	<input type="radio"/> <input checked="" type="radio"/>
4	SLC during SDP response	N/A	O	<input type="radio"/> <input checked="" type="radio"/>
5	Handle dynamic server channel number for HFP service	N/A	O	<input type="radio"/> <input checked="" type="radio"/>
6	HF disallows connections in non-discoverable mode	N/A	C.2	<input type="radio"/> <input checked="" type="radio"/>
7	HF connects to AG during in-coming call	N/A	O	<input type="radio"/> <input checked="" type="radio"/>
8	Link loss during in-coming call	N/A	C.3	<input type="radio"/> <input checked="" type="radio"/>
9	SLC release during in-coming call	N/A	C.3	<input type="radio"/> <input checked="" type="radio"/>
10	Voice Recognition Activation	N/A	C.4	<input type="radio"/> <input checked="" type="radio"/>
11	Place outgoing call by dialing number on the AG	N/A	O	<input type="radio"/> <input checked="" type="radio"/>
12	Active call termination - NO CARRIER signal	N/A	C.5	<input type="radio"/> <input checked="" type="radio"/>

C.1: Optional if 2/7a or 3/7a is supported, otherwise excluded.

C.2: Optional if 1/2 is supported, otherwise excluded.

C.3: Optional if 1/1 is supported, otherwise excluded.

C.4: Optional if 2/15 or 3/15 is supported, otherwise excluded.

C.5: Optional if 2/6 is supported, otherwise excluded.

Annex 2 Test plan generated by TPG

Test Cases for HFP			
TP/ACR/BV-01-I	Audio release - HF initiated	HFP.TS.1.7.1.2	HF IUT:A;AG IUT:A
TP/ACR/BV-02-I	Audio release - AG initiated	HFP.TS.1.7.1.2	HF IUT:A;AG IUT:A
TP/ACS/BI-13-I	HF is IUT, AG Initiates eSCO with invalid bandwidth	HFP.TS.1.7.1.2	HF IUT:A;AG IUT:N/A
TP/ACS/BV-03-I	HF is IUT, AG Initiated, AG is SCO only	HFP.TS.1.7.1.2	HF IUT:A;AG IUT:N/A
TP/ACS/BV-07-I	HF is IUT, AG Initiated, AG has eSCO	HFP.TS.1.7.1.2	HF IUT:A;AG IUT:N/A
TP/ACS/BV-12-I	HF is IUT, AG Initiates eSCO with 18ms latency	HFP.TS.1.7.1.2	HF IUT:A;AG IUT:N/A
TP/ATA/BV-01-I	AG initiated Audio transfer to the AG	HFP.TS.1.7.1.2	HF IUT:A;AG IUT:A
TP/ATH/BV-05-I	AG Initiated Audio Transfer to the HF - No SLC	HFP.TS.1.7.1.2	HF IUT:A;AG IUT:A
TP/ATH/BV-06-I	AG Initiated Audio Transfer to the HF - SLC]	HFP.TS.1.7.1.2	HF IUT:A;AG IUT:A
TP/CIT/BV-01-I	Incoming call interrupted - call terminated	HFP.TS.1.7.1.2	HF IUT:A;AG IUT:A
TP/DIS/BV-01-I	Verify inquiry and discoverability	HFP.TS.1.7.1.2	HF IUT:A;AG IUT:A
TP/ECS/BV-03-I	Transfer of Current Call Status to Held	HFP.TS.1.7.1.2	HF IUT:N/A;AG IUT:A
TP/IKA/BV-01-I	Answer incoming call HF - inband ring	HFP.TS.1.7.1.2	HF IUT:A;AG IUT:B
TP/IKA/BV-02-I	Answer incoming call HF - inband setting	HFP.TS.1.7.1.2	HF IUT:A;AG IUT:A
TP/IKA/BV-04-I	Answer incoming call HF - no inband ring	HFP.TS.1.7.1.2	HF IUT:A;AG IUT:A
TP/IKA/BV-05-I	Answer incoming call HF - no inband ring + audio connection	HFP.TS.1.7.1.2	HF IUT:A;AG IUT:B
TP/IKA/BV-06-I	Answer incoming call AG	HFP.TS.1.7.1.2	HF IUT:A;AG IUT:A
TP/ICR/BV-01-I	Reject incoming Call from HF	HFP.TS.1.7.1.2	HF IUT:A;AG IUT:A
TP/ICR/BV-02-I	Reject incoming Call from AG	HFP.TS.1.7.1.2	HF IUT:A;AG IUT:A
TP/OOR/BV-01-I	AG reconnects to HF	HFP.TS.1.7.1.2	HF IUT:A;AG IUT:A
TP/OOR/BV-02-I	HF reconnects to AG	HFP.TS.1.7.1.2	HF IUT:A;AG IUT:A
TP/RSV/BV-01-I	Speaker vol ctrl - remote/local	HFP.TS.1.7.1.2	HF IUT:A;AG IUT:A
TP/RSV/BV-02-I	Speaker vol ctrl - remote	HFP.TS.1.7.1.2	HF IUT:A;AG IUT:A
TP/RSV/BV-03-I	Speaker vol ctrl - store settings	HFP.TS.1.7.1.2	HF IUT:A;AG IUT:A
TP/SDP/BV-01-I	Service Search Request	HFP.TS.1.7.1.2	HF IUT:A;AG IUT:A
TP/SLC/BV-03-C	HF Initiates SLC. No 3-way	HFP.TS.1.7.1.2	HF IUT:A;AG IUT:N/A
TP/SLC/BV-04-C	AG Initiates SLC. No 3-way	HFP.TS.1.7.1.2	HF IUT:N/A;AG IUT:A
TP/TCA/BV-01-I	Terminate a Call - HF terminated	HFP.TS.1.7.1.2	HF IUT:A;AG IUT:A
TP/TCA/BV-02-I	Terminate a Call - AG terminated	HFP.TS.1.7.1.2	HF IUT:A;AG IUT:A
TP/TCA/BV-03-I	Terminate a Call - Remote party terminated	HFP.TS.1.7.1.2	HF IUT:A;AG IUT:A
TP/TCA/BV-04-I	Outgoing Call Abandon from HF	HFP.TS.1.7.1.2	HF IUT:A;AG IUT:A
TP/TRS/BV-01-C	Transfer registration status	HFP.TS.1.7.1.2	HF IUT:A;AG IUT:A