

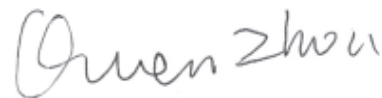
Test Report

Report No.: CQASZ20180400028EW-03

Test Description: Bluetooth Profile Interoperability Test Report for A2DP
Product/Design Name: 1MORE Triple Driver BT In-Ear Headphones
Product/Design ID: E1001BT
Trademark: 1MORE
Applicant: 1MORE Shen Zhen Acoustic Technology Co., Ltd.
Manufacturer: 1MORE Shen Zhen Acoustic Technology Co., Ltd.
Test Specification: Bluetooth Profile Specification Version 1.3– Advanced Audio Distribution Profile
Bluetooth Advanced Audio Distribution Profile Test Specification:
A2DP.TS.1.3.1.0



Test Report Prepared by.....
Test Engineer Aaron Wu



Test Report Reviewed by.....
Test Reviewer Owen Zhou

Bluetooth[®] Profile Interoperability Test Report

The Bluetooth[®] word mark and logos are registered trademarks owned by Bluetooth SIG, Inc. and any use of such marks by CQA is under license. Other trademarks and trade names are those of their respective owners.

Index

| | | |
|----------------|---|-----------|
| 1 | General Information | 3 |
| 1.1 | General..... | 3 |
| 1.1.1 | Administrative data of Test Facility | 3 |
| 1.1.2 | Administrative data of Applicant | 4 |
| 1.1.3 | Administrative data of EUT Manufacturer | 4 |
| 1.2 | Description of EUT..... | 5 |
| 2 | Summary List of All Test Cases | 6 |
| 3 | Profile Testing | 7 |
| 3.1 | Description of Test Set-up..... | 7 |
| 3.2 | List of Performed Test Cases | 8 |
| 3.3 | Referenced Documents..... | 9 |
| 3.4 | Additional Information..... | 9 |
| 3.5 | Test Sample Information | 9 |
| 3.6 | List of Test Equipments | 9 |
| Annex 1 | Profile Implementation Conformance Statement | 10 |
| | Advanced Audio Distribution Profile | 10 |
| | Role Declaration | 10 |
| | Role Declaration | 10 |
| | Role Declaration | 10 |
| | Application Features | 10 |
| | Sink Implementation..... | 12 |
| | Sink Implementation..... | 13 |
| Annex 2 | Test plan generated by launch studio..... | 14 |



1 General Information

1.1 General

1.1.1 Administrative data of Test Facility

Test Facility: Shenzhen Huaxia Testing Technology Co., Ltd

Test Facility Address: 1F., Block A of Tongsheng Technology Building, Huahui Road, Dalang Street, Longhua District, Shenzhen, China

Phone Number: 86-755-26648642

Fax: +86-755-26648637

Email: Owen.zhou@cqa-cert.com

Contact Person: Mr. Owen Zhou



1.1.2 Administrative data of Applicant

Applicant: 1MORE Shen Zhen Acoustic Technology Co., Ltd.

Applicant Address: Tianliao Building 1403-1411, Zone A Tianliao Industrial Park, Taoyuan Street, Nanshan District, Shenzhen, P.R. China

Responsible Person: Mrs. He

Phone Number : 13242075433

Fax :

Email : xiao.he<xiao.he@tiinlab.com.cn>

1.1.3 Administrative data of EUT Manufacturer

EUT Manufacturer: 1MORE Shen Zhen Acoustic Technology Co., Ltd.

Manufacturer Address: Tianliao Building 1403-1411, Zone A Tianliao Industrial Park, Taoyuan Street, Nanshan District, Shenzhen, P.R. China

Responsible Person: Mrs. He

Phone Number : 13242075433

Fax :

Email : xiao.he<xiao.he@tiinlab.com.cn>

1.2 Description of EUT

Product name: 1MORE Triple Driver BT In-Ear Headphones

Product description: 1MORE Triple Driver BT In-Ear Headphones

Product ID/Model: E1001BT

Hardware Version: v1.0

Software Version: v1.0

Photos of Product:



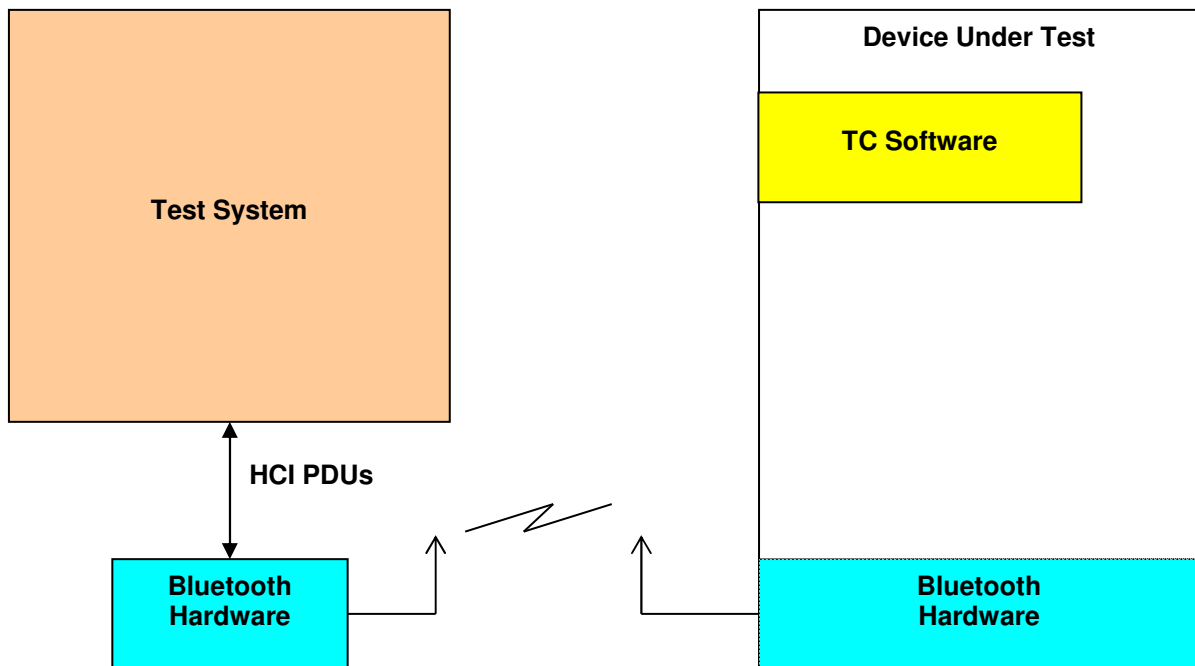


2 Summary List of All Test Cases

| Advanced Audio Distribution Profile | | | | |
|-------------------------------------|----------------|---|---------|--------------|
| No | TC identifier | Description | Verdict | Comments |
| 1 | TP/SET/BV-01-I | Est. Connect. - SRC | Pass | Refer to PTS |
| 2 | TP/SET/BV-02-I | Est. Connect. - SNK | N/A | |
| 3 | TP/SET/BV-03-I | Start Stream. - SRC | Pass | Refer to PTS |
| 4 | TP/SET/BV-04-I | Start Stream. - SNK | N/A | |
| 5 | TP/SET/BV-05-I | Restart Stream. - SRC | Pass | Refer to PTS |
| 6 | TP/SET/BV-06-I | Restart Stream. - SNK | N/A | |
| 7 | TP/REL/BV-01-I | Release Stream. - SRC | Pass | Refer to PTS |
| 8 | TP/REL/BV-02-I | Release Stream. - SNK | N/A | |
| 9 | TP/SUS/BV-01-I | Suspend Stream - SRC | Pass | Refer to PTS |
| 10 | TP/SUS/BV-02-I | Suspend Stream. - SNK | N/A | |
| 11 | TP/AS/BV-01-I | Streaming - SBC | Pass | Refer to PTS |
| 12 | TP/AS/BV-02-I | Streaming - Options | N/A | |
| 13 | TP/AS/BV-03-I | Optional and SBC Streaming - SRC | N/A | |
| 14 | TP/SC/BV-01-C | SBC Conformance - Decoder | N/A | |
| 15 | TP/SC/BV-02-C | SBC Conformance - Encoder | N/A | |
| 16 | TP/SDP/BV-01-I | SDP Interoperability SRC | N/A | |
| 17 | TP/SDP/BV-02-I | SDP Interoperability SNK | Pass | Refer to PTS |
| 18 | TP/CC/BV-01-I | Configurations SNK Decoder | Pass | Refer to PTS |
| 19 | TP/CC/BV-02-I | Configurations SNK Decoder | Pass | Refer to PTS |
| 20 | TP/CC/BV-03-I | Configurations SNK Decoder | Pass | Refer to PTS |
| 21 | TP/CC/BV-04-I | Configurations SNK Decoder | Pass | Refer to PTS |
| 22 | TP/CC/BV-05-I | Configurations SNK Decoder | Pass | Refer to PTS |
| 23 | TP/CC/BV-06-I | Configurations SNK Decoder | Pass | Refer to PTS |
| 24 | TP/CC/BV-07-I | Configurations SNK Decoder | Pass | Refer to PTS |
| 25 | TP/CC/BV-08-I | Configurations SNK Decoder | Pass | Refer to PTS |
| 26 | TP/CC/BV-09-I | Configurations SRC Decoder | N/A | |
| 27 | TP/CC/BV-10-I | Configurations SRC Decoder | N/A | |
| 28 | TP/SYN/BV-01-I | Delay Reporting with VDP video playback | N/A | |
| 29 | TP/SYN/BV-02-I | Delay Reporting with local video playback | NT | Category D |
| 30 | TP/SYN/BV-01-C | Delay Value | Pass | Refer to PTS |

3 Profile Testing

3.1 Description of Test Set-up



The Test System PTS for Bluetooth is running on a PC System.

The test system communicates with the Bluetooth Hardware via an HCI connection.

The tests are performed as remote tests and all communication between the Test System and the DUT is done via the radio interface.



3.2 List of Performed Test Cases

Profile: A2DP

Role: Sink

Source

For Sink Role:

| TC-Identifier | Final Verdict | Date of Test |
|----------------|---------------|--------------|
| TP/AS/BV-01-I | Pass | 2018-06-27 |
| TP/CC/BV-01-I | Pass | 2018-06-27 |
| TP/CC/BV-02-I | Pass | 2018-06-27 |
| TP/CC/BV-03-I | Pass | 2018-06-27 |
| TP/CC/BV-04-I | Pass | 2018-06-27 |
| TP/CC/BV-05-I | Pass | 2018-06-27 |
| TP/CC/BV-06-I | Pass | 2018-06-27 |
| TP/CC/BV-07-I | Pass | 2018-06-27 |
| TP/CC/BV-08-I | Pass | 2018-06-27 |
| TP/REL/BV-01-I | Pass | 2018-06-27 |
| TP/SET/BV-01-I | Pass | 2018-06-27 |
| TP/SET/BV-03-I | Pass | 2018-06-27 |
| TP/SET/BV-05-I | Pass | 2018-06-27 |
| TP/SUS/BV-01-I | Pass | 2018-06-27 |
| TP/SYN/BV-01-C | Pass | 2018-06-27 |

3.3 Referenced Documents

| Document Name | Version | Issue Date |
|--|----------------|-------------|
| Advanced Audio Distribution Profile Specification | V1.3 | 24 Jul 2012 |
| Advanced Audio Distribution Profile (A2DP) 1.0-1.3 Test Suite Structure (TSS) and Test Purposes (TP) | A2DP.TS.1.3.5 | 18 Jul 2017 |
| Profile ICS Proforma for Advanced Audio Distribution Profile (A2DP) 1.0-1.3 | A2DP.ICS.1.3.3 | 19 Dec 2017 |
| Test Case Reference List | 2017-2 | 19 Dec 2017 |

3.4 Additional Information

The test results presented in this test report apply only to the particular implementation under test (IUT) Declared in clause 1.2 of this report, for the functionality described in the relevant Protocol Implementation Statement (PICS), as presented for test on the date(s) declared in the relevant Protocol Implementation Extra Information for testing (PIXIT).

This test report does not constitute or imply, by its own, to be an approval of the product by Qualification Bodies, Certification Bodies or competent Authorities.

This document is only valid if complete; no partial reproduction can be made without written approval of the Test Laboratory.

This test report cannot be used partially or in full publicity and/or promotional purposes without previous written approval of the Test Laboratory.

Abbreviations in this report:

| | | |
|-------------|---|----------------------|
| OK, Pass, P | = | passed |
| F | = | failed |
| N/A | = | not applicable |
| NT | = | not tested |
| EUT | = | equipment under test |

3.5 Test Sample Information

The following sample was used for testing.

| Sample No | Serial No/BT address | Date Of Reception |
|---------------|----------------------|-------------------|
| SZCR180617-01 | 67564534571E | 2018-06-17 |

3.6 List of Test Equipments

Profile Tuning Suite: PTS v. 7.1.1
A2DP-ETS v. 10.1.1.8

EZURIO 4.0 PTS Dongle



Annex 1 Profile Implementation Conformance Statement

Advanced Audio Distribution Profile

Role Declaration

Table 0: Profile Version

| Support | Item | Capability | System Spec Reference | Status | Comment |
|-------------------------------------|------|---------------------|-----------------------|--------|---|
| <input type="checkbox"/> | 0/1 | A2DP 1.0 | A2DP 1.0 | C.1 | C.1: Mandatory to support one and only one major profile version. |
| <input type="checkbox"/> | 0/2 | A2DP 1.2 | A2DP 1.2 | C.1 | C.1: Mandatory to support one and only one major profile version. |
| <input checked="" type="checkbox"/> | 0/3 | A2DP 1.3 | A2DP 1.3 | C.1 | C.1: Mandatory to support one and only one major profile version. |
| <input type="checkbox"/> | 0/4 | Item No Longer Used | N/A | N/A | |

Role Declaration

Table 0a: Minor Profile Version (X.Y.Z)

Prerequisite: A2DP 0/3

| Support | Item | Capability | System Spec Reference | Status | Comment |
|--------------------------|------|------------|-----------------------|--------|---|
| <input type="checkbox"/> | 0a/1 | A2DP 1.3.1 | A2DP 1.3.1 | C.1 | C.1: Optional IF 0/3 "A2DP 1.3" is supported, otherwise Excluded. |

Role Declaration

Table 1: Roles

| Support | Item | Capability | System Spec Reference | Status | Comment |
|-------------------------------------|------|--------------|-----------------------|--------|--|
| <input type="checkbox"/> | 1/1 | Source (SRC) | [1] 2.2 | C.1 | C.1: Mandatory to support at least one of the defined roles. |
| <input checked="" type="checkbox"/> | 1/2 | Sink (SNK) | [1] 2.2 | C.1 | C.1: Mandatory to support at least one of the defined roles. |

Application Features



Table 4: A2DP Sink Features

| Support | Item | Capability | System Spec Reference | Status | Comment |
|-------------------------------------|-------|--|------------------------|--------|--|
| <input type="checkbox"/> | 4/1 | Initiate Connection Establishment | [4] 4.1.1 | O | |
| <input checked="" type="checkbox"/> | 4/2 | Accept Connection Establishment | [4] 4.1.1 | M | |
| <input type="checkbox"/> | 4/3 | Initiate Start Streaming | [4] 4.1.2 | O | |
| <input checked="" type="checkbox"/> | 4/4 | Accept Start Streaming | [4] 4.1.2 | M | |
| <input checked="" type="checkbox"/> | 4/5 | Receive Audio Stream | [1] 3.2.1 | M | |
| <input type="checkbox"/> | 4/6 | Initiate Connection Release | [4] 4.1.3 | O | |
| <input checked="" type="checkbox"/> | 4/7 | Accept Connection Release | [4] 4.1.3 | M | |
| <input type="checkbox"/> | 4/8 | Initiate Suspend | [4] 4.1.4 | O | |
| <input checked="" type="checkbox"/> | 4/9 | Accept Suspend | [4] 4.1.4 | O | |
| <input checked="" type="checkbox"/> | 4/10 | SBC Decoder | [1] 4.3 | M | |
| <input checked="" type="checkbox"/> | 4/11 | SBC Configurations in 16 KHz sampling frequency rate | [1] 4.3.2.1 | O | |
| <input checked="" type="checkbox"/> | 4/12 | SBC Configurations in 32 KHz sampling frequency rate | [1] 4.3.2.1 | O | |
| <input checked="" type="checkbox"/> | 4/13 | SBC Configurations in 44.1 KHz sampling frequency rate | [1] 4.3.2.1 | M | |
| <input checked="" type="checkbox"/> | 4/14 | SBC Configurations in 48 KHz sampling frequency rate | [1] 4.3.2.1 | M | |
| <input type="checkbox"/> | 4/10a | Decode and Forward Audio Stream | [1] 3.2.2 | O | |
| <input checked="" type="checkbox"/> | 4/15 | Delay Reporting | [1] 5.1.1.2, [4] 4.1.8 | C.1 | C.1: Mandatory to support IF A2DP 0/3 “(A2DP 1.3)” is supported, otherwise Excluded. |

Table 5: Supported codecs in SNK

| Support | Item | Capability | System Spec Reference | Status | Comment |
|-------------------------------------|------|-------------------------------------|--------------------------------------|--------|---|
| <input checked="" type="checkbox"/> | 5/1 | SBC decoder - D1 & D2 | [1] 4.3 & Appendix B, [3] Appendix A | M | |
| <input type="checkbox"/> | 5/2 | Optional codec decoder | [1] 4.2.2, 4.2.3, 4.4, 4.5, 4.6 | O | |
| <input type="checkbox"/> | 5/3 | MPEG-1, 2 Audio | [1] 4.4 | C.1 | C.1: At least one codec shall be supported IF A2DP 5/2 (Optional codec decoder) is supported, otherwise Excluded. |
| <input type="checkbox"/> | 5/4 | MPEG-2, 4 AAC | [1] 4.5 | C.1 | C.1: At least one codec shall be supported IF A2DP 5/2 (Optional codec decoder) is supported, otherwise Excluded. |
| <input type="checkbox"/> | 5/5 | ATRAC family decoder | [1] 4.6 | C.1 | C.1: At least one codec shall be supported IF A2DP 5/2 (Optional codec decoder) is supported, otherwise Excluded. |
| <input type="checkbox"/> | 5/6 | | | | |
| <input type="checkbox"/> | 5/1a | Decode and Forward SBC Audio Stream | [1] 4.3 & Appendix B, [3] Appendix A | O | |



Sink Implementation

Table 5a: Supported Codec Features in SNK

Prerequisite: A2DP 5/1

| Support | Item | Capability | System Spec Reference | Status | Comment |
|-------------------------------------|-------|-----------------------------|-----------------------|--------|---------|
| <input checked="" type="checkbox"/> | 5a/1 | Channel Mode - Mono | [1] 4.3.2.2 | M | |
| <input checked="" type="checkbox"/> | 5a/2 | Channel Mode - Dual Channel | [1] 4.3.2.2 | M | |
| <input checked="" type="checkbox"/> | 5a/3 | Channel Mode - Stereo | [1] 4.3.2.2 | M | |
| <input checked="" type="checkbox"/> | 5a/4 | Channel Mode - Joint Stereo | [1] 4.3.2.2 | M | |
| <input checked="" type="checkbox"/> | 5a/5 | Block Length 4 | [1] 4.3.2.3 | M | |
| <input checked="" type="checkbox"/> | 5a/6 | Block Length 8 | [1] 4.3.2.3 | M | |
| <input checked="" type="checkbox"/> | 5a/7 | Block Length 12 | [1] 4.3.2.3 | M | |
| <input checked="" type="checkbox"/> | 5a/8 | Block Length 16 | [1] 4.3.2.3 | M | |
| <input checked="" type="checkbox"/> | 5a/9 | Subbands - 4 | [1] 4.3.2.4 | M | |
| <input checked="" type="checkbox"/> | 5a/10 | Subbands - 8 | [1] 4.3.2.4 | M | |
| <input checked="" type="checkbox"/> | 5a/11 | Allocation - SNR | [1] 4.3.2.5 | M | |
| <input checked="" type="checkbox"/> | 5a/12 | Allocation - Loudness | [1] 4.3.2.5 | M | |



Annex 2 Test plan generated by launch studio

| A2DP.TS.1.3.1.2 | | | |
|------------------------|----------------------------|---|---------------------------|
| Test Case ID | Legacy Test Case ID | Test Case Description | Test Case Category |
| TP/AS/BV-01-I | TP/AS/BV-01-I | Verify that the audio streaming based on SBC format. | SNK IUT:A; SRC IUT:A |
| TP/CC/BV-01-I | TP/CC/BV-01-I | Configurations SNK Decoder | SNK IUT:A; SRC IUT:N/A |
| TP/CC/BV-02-I | TP/CC/BV-02-I | Configurations SNK Decoder | SNK IUT:A; SRC IUT:N/A |
| TP/CC/BV-03-I | TP/CC/BV-03-I | Configurations SNK Decoder | SNK IUT:A; SRC IUT:N/A |
| TP/CC/BV-04-I | TP/CC/BV-04-I | Configurations SNK Decoder | SNK IUT:A; SRC IUT:N/A |
| TP/CC/BV-05-I | TP/CC/BV-05-I | Configurations SNK Decoder | SNK IUT:A; SRC IUT:N/A |
| TP/CC/BV-06-I | TP/CC/BV-06-I | Configurations SNK Decoder | SNK IUT:A; SRC IUT:N/A |
| TP/CC/BV-07-I | TP/CC/BV-07-I | Configurations SNK Decoder | SNK IUT:A; SRC IUT:N/A |
| TP/CC/BV-08-I | TP/CC/BV-08-I | Configurations SNK Decoder | SNK IUT:A; SRC IUT:N/A |
| TP/REL/BV-01-I | TP/REL/BV-01-I | Verify that the audio stream connection is released by SRC. | SNK IUT:A; SRC IUT:A |
| TP/SET/BV-01-I | TP/SET/BV-01-I | Verify that SRC can establish stream connection successfully. | SNK IUT:A; SRC IUT:A |
| TP/SET/BV-03-I | TP/SET/BV-03-I | Verify that SRC can start audio streaming. | SNK IUT:A; SRC IUT:A |
| TP/SET/BV-05-I | TP/SET/BV-05-I | Restart Stream. - SRC | SNK IUT:B; SRC IUT:B |
| TP/SUS/BV-01-I | TP/SUS/BV-01-I | Verify that the audio streaming is suspended by SRC. | SNK IUT:A; SRC IUT:A |
| TP/SYN/BV-01-C | TP/SYN/BV-01-C | Delay Value | SNK IUT:B; SRC IUT:N/A |
| TP/SYN/BV-02-I | TP/SYN/BV-02-I | Delay Reporting with local video playback | SNK IUT:D; SRC IUT:D |